

Atlas Copco Stationary Air Compressors

GA30, GA37, GA45
GA30 W, GA37 W, GA45 W

Parts list

From following serial No. onwards:
AII-360 000

"Copyright 1998, Atlas Copco Airpower n.v., Antwerp, Belgium.

Any unauthorized use or copying of the contents or any part of this book is prohibited.
This applies in particular to trademarks, model denominations, part numbers and drawings."

No. 2930 1273 01

Registration code: APC G30-45/98 / 39 / 998
Replaces No. 2930 1273 00

1998-10

Web-site: <http://www.atlascopco-compressors.com>



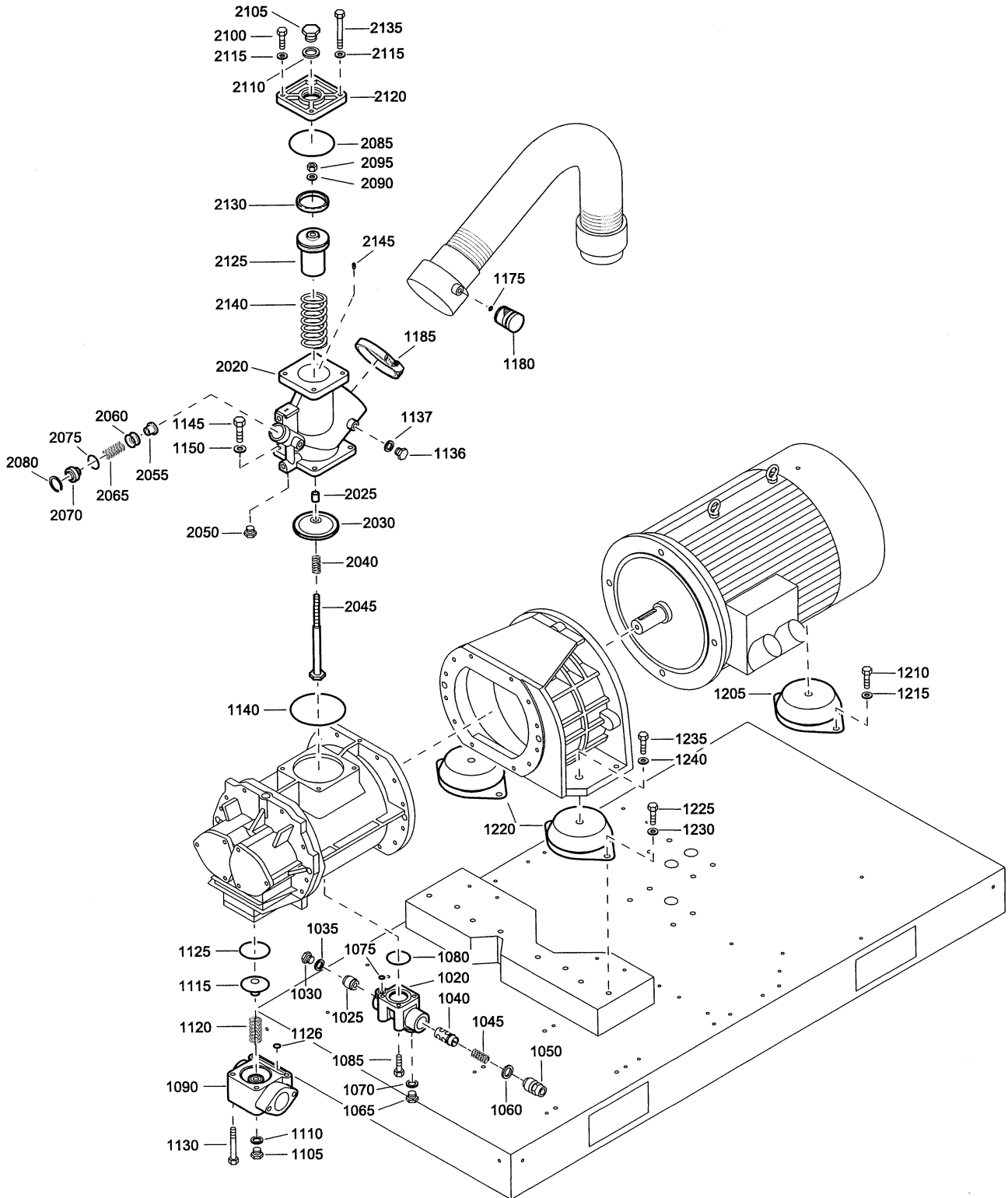
* 2 9 3 0 1 2 7 3 0 1 *

Atlas Copco

Contents	Indice
Inhoud	Innholdsfortegnelse
Innehåll	Indice
Inhaltsverzeichnis	Indholdsfortegnelse
Table des matières	Sisällysluettelo
Indice	
Valve parts	
Kleponderdelen	
Ventildetaljer	
Ventilteile	
Détails des soupapes	
Detalles de las válvulas	
Dettagli delle valvole	
Ventildele	
Peças das válvulas	
Ventildeler	
Venttiilin osat	1
Drive arrangement	
Aandrijfuitvoering	
Drivarrangemang	
Antriebsanordnung	
Dispositif d'entraînement	
Disposición de accionamiento	
Disposizione di azionamento	
Arrangement	
Disposição de accionamento	
Drivarrangement	
Rakenne	2
Motor and coupling	
Motor en koppeling	
Motor och koppling	
Motor und Kupplung	
Moteur et accouplement	
Motor y acoplamiento	
Motore elettrico e giunto	
Motor og kobling	
Motor e acoplamento	
Motor og kopling	
Moottori ja kytkin	3
Air flow	
Luchtstroming	
Luftflöde	
Luftstrom	
Flux d'air	
Flujo de aire	
Flusso d'aria	
Luftflow	
Fluxo de ar	
Luftstrøm	
Ilman virtaus	4
Air receiver	
Luchtketel	
Luftbehållare	
Luftbehälter	
Réservoir d'air	
Depósito de aire	
Serbatoio dell'aria	
Luftbeholder	
Reservatório de ar	
Luftbeholder	
Ilmasäiliö	5
Oil system	
Oliesysteem	
Oljesystem	
Ösystem	
Système d'huile	
Sistema de aceite	
Sistema dell'olio	
Oliesystem	
Sistema de óleo	
Oljesystem	
Voitelujärjestelmä	6
Cooler(s)	
Koeler(s)	
Kylare	
Kühler	
Refrroidisseur(s)	
Refrigerador(es)	
Refrigeratore(i)	
Kølere	
Refrigerador(es)	
Kjøler(e)	
Jäähdyttimet	
- GA	7
- GA W	8
Water system	GA W
Watersysteem	
Vattensystem	
Wassersystem	
Système d'eau	
Sistema de agua	
Sistema dell'acqua	
Vandsystem	
Sistema de água	
Vannsystem	
Vesijärjestelmä	9
Cubicle	
Kast	
Skåp	
Schaltschrank	
Armoire	
Armario	
Armadio elettrico	
Elskab	
Quadro	
Skap	
Kotelo	
- Standard Pack	10
- Pack + Full Feature	11
- Pack + Full Feature CSA-UL	12

Contents	Indice
Inhoud	Innholdsfortegnelse
Innehåll	Indice
Inhaltsverzeichnis	Innholdsfortegnelse
Table des matières	Sisällysluettelo
Indice	
Water separator connections	
Aansluitingen van de waterafscheider	
Vattenavskiljarens anslutningar	
Anschlüsse des Wasserabscheiders	
Connexions du séparateur d'eau	
Conexiones del separador de agua	
Conessioni del separatore di condensa	
Tilslutninger, vandseparator	
Ligações ao dreno de condensados	
Vannutskillertilkoplinger	
Vedenerottimen liitännät	13
Regulating system	
Regelsysteem	
Reglersystem	
Regelsystem	
Système de régulation	
Sistema de regulación	
Sistema di regolazione	
Reguleringssystem	
Sistema de regulação	
Reguleringssystem	
Säätöjärjestelmä	
- Pack + Full Feature	14
- Standard Pack	15
Bodywork	
Carrosserie	
Karosseri	
Karosserie	
Capotage	
Carrocería	
Cappottatura	
Karosseri	
Carroceria	
Kabinett	
Kotelo	16
Modulating control (Optional)	
Modulatiecontrole	
Moduleringskontroll	
Modulationskontrolle	
Contrôle de la modulation	
Control de modulación	
Controllo continuo	
Modulationsstyring	
Controlo de modulação	
Modulasjonsregulering	
Modulointisäätö	17
Air dryer connections (Optional)	
Aansluitingen van de luchtdroger	
Lufttorkaranslutningar	
Anschlüsse des Lufttrockners	
Connexions du sécheur d'air	
Conexiones del secador de aire	
Conessioni del essiccatore d'aria	
Tilslutninger, køletørrer	
Ligações do secador de ar	
Lufttørkertilkoplinger	
Kuivaimen liitännät	18
Air dryer (Optional)	
Luchtdroger	
Lufttorkare	
Lufttrockner	
Sécheur d'air	
Secador de aire	
Essiccatore d'aria	
Lufttørrer	
Secador de ar	
Lufttørker	
Kuivain	19
Heat recovery system (Optional)	
Warmterecuperatiesysteem	
Värmeåtervinningsystem	
Wärmerückgewinnungssystem	
Système de récupération de chaleur	
Sistema de recuperación de calor	
Sistema di recupero del calore	
Varmegenvindingssystem	
Sistema de recuperação de energia	
Varmegjenvinningsystem	
Lämmön talteenottojärjestelmä	20
Drain system (Optional)	
Aftapsysteem	
Avtappingssystem	
Ablaßsystem	
Système de vidange	
Sistema de drenaje	
Sistema di scarico	
Drænsystem	
Sistema de drenagem de condensados	
Avtappingssystem	
Lauhteenpoistojärjestelmä	
- Electronic condensate drain	21
- OSD	22
Service kits	
Service kits	
Service kits	
Service Kits	
Service kits	
Service kits	
Kit per la manutenzione	
Service kits	
Conjuntos de reparação	
Servicesett	
Huoltotarvikesarjat	23

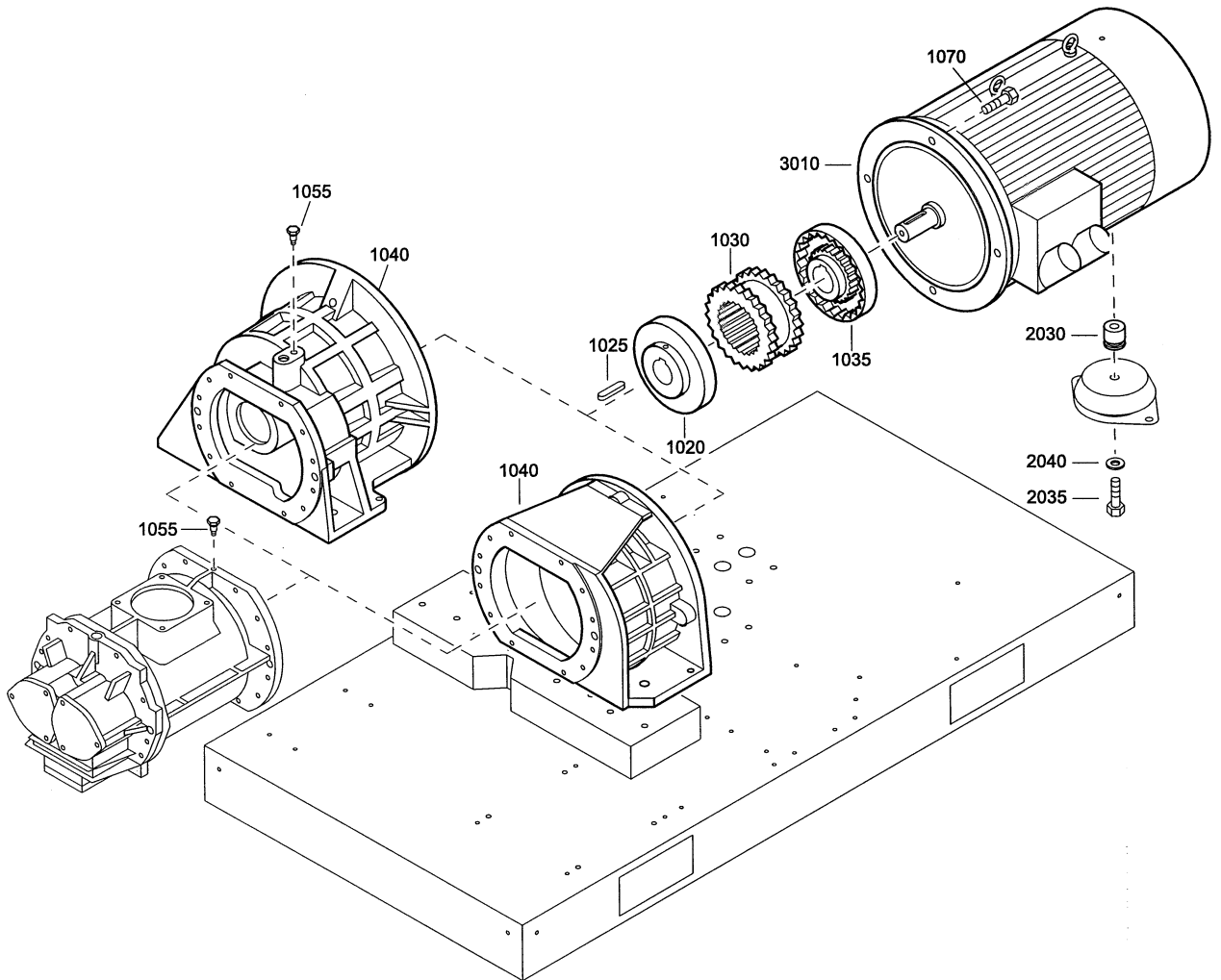
1



Valve parts

Ref.	Part number	Qty	Name	Remarks	Ref.	Part number	Qty	Name	Remarks
1020	1613 2355 00	1	Body		1235	0147 1479 03	2	Hexagon bolt	
1025	1613 2359 00	1	Piston		1240	0301 2378 00	2	Washer	
1030	0686 6448 00	1	Hexagon plug				1	Unloading valve	
1035	0661 1000 30	1	Seal washer			1613 8144 83		Modulating control	
1040	1613 2356 00	1	Valve			1613 8144 82		Others	
1045	1613 2357 00	1	Spring		2020	1613 8144 01 •	1	Valve housing	
1050	1613 8140 00	1	Nipple		2025	0500 4510 33 •	1	Plain bearing	
1060	0661 1000 30	1	Seal washer		2030	•	1	Valve	
1065	0686 4204 00	1	Hexagon plug			1613 7448 81		Modulating control	
1070	0661 1000 27	1	Seal washer			1613 6818 01		Others	
1075	0663 3120 00	1	O-ring		2040	1613 8068 01 •	1	Spring	
1080	0663 7135 00	1	O-ring		2045	1613 8146 01 •	1	Piston rod	
1085	0147 1336 03	4	Hexagon bolt		2050	1613 6813 00 •	1	Plug	
1090	1613 7960 00	1	Valve housing		2055	1613 6796 00 •	1	Valve seat	
1105	0686 4203 00	1	Hexagon plug		2060	1613 6783 00 •	1	Piston	
1110	0661 1000 26	1	Seal washer		2065	1513 0011 00 •	1	Spring	
1115	1202 6139 00	1	Valve		2070	1613 6794 00 •	1	Cover	
1120	1613 5165 00	1	Spring		2075	0663 7132 00 •	1	O-ring	
1125	0663 7138 00	1	O-ring		2080	0335 2136 00 •	1	Circlip	
1126	0663 2107 77	1	O-ring		2085	0663 7144 00 •	1	O-ring	
1130	0147 1374 03	4	Hexagon bolt		2090	0653 0500 02 •	1	Gasket	
1136	0686 3716 01	1	Hexagon plug		2095	0261 1090 67 •	1	Nut	
1137	0653 1062 00	1	Flat gasket		2100	0211 1328 03 •	2	Cap screw	
1140	0663 7150 00	1	O-ring		2105	•	1	Plug	
1145	0147 1363 03	4	Hexagon bolt			1613 8148 00		Modulating control	
1150	0301 2344 00	4	Washer			0686 4210 00		Others	
1175	1619 5819 00	1	Sintered disk		2110	0661 1000 32 •	1	Seal washer	
1180	1613 7912 01	1	Indicator		2115	0301 2335 00 •	4	Washer	
1185	0347 6119 00	1	Hose clip		2120	1613 8147 00 •	1	Cover	
1205	1613 6752 13	1	Antivibration pad		2125	1613 8145 00 •	1	Piston	
1210	0147 1400 03	2	Hexagon bolt		2130	1613 6816 00 •	1	Lipseal	
1215	0301 2358 00	2	Washer		2135	0211 1963 92 •	2	Screw	
1220	1613 6752 12	2	Antivibration pad		2140	1613 6817 01 •	1	Spring	
1225	0147 1400 03	4	Hexagon bolt		2145	•	1	Plug	
1230	0301 2358 00	4	Washer			1613 6964 00		Modulating control	
						0663 7110 00 ••	1	O-ring	

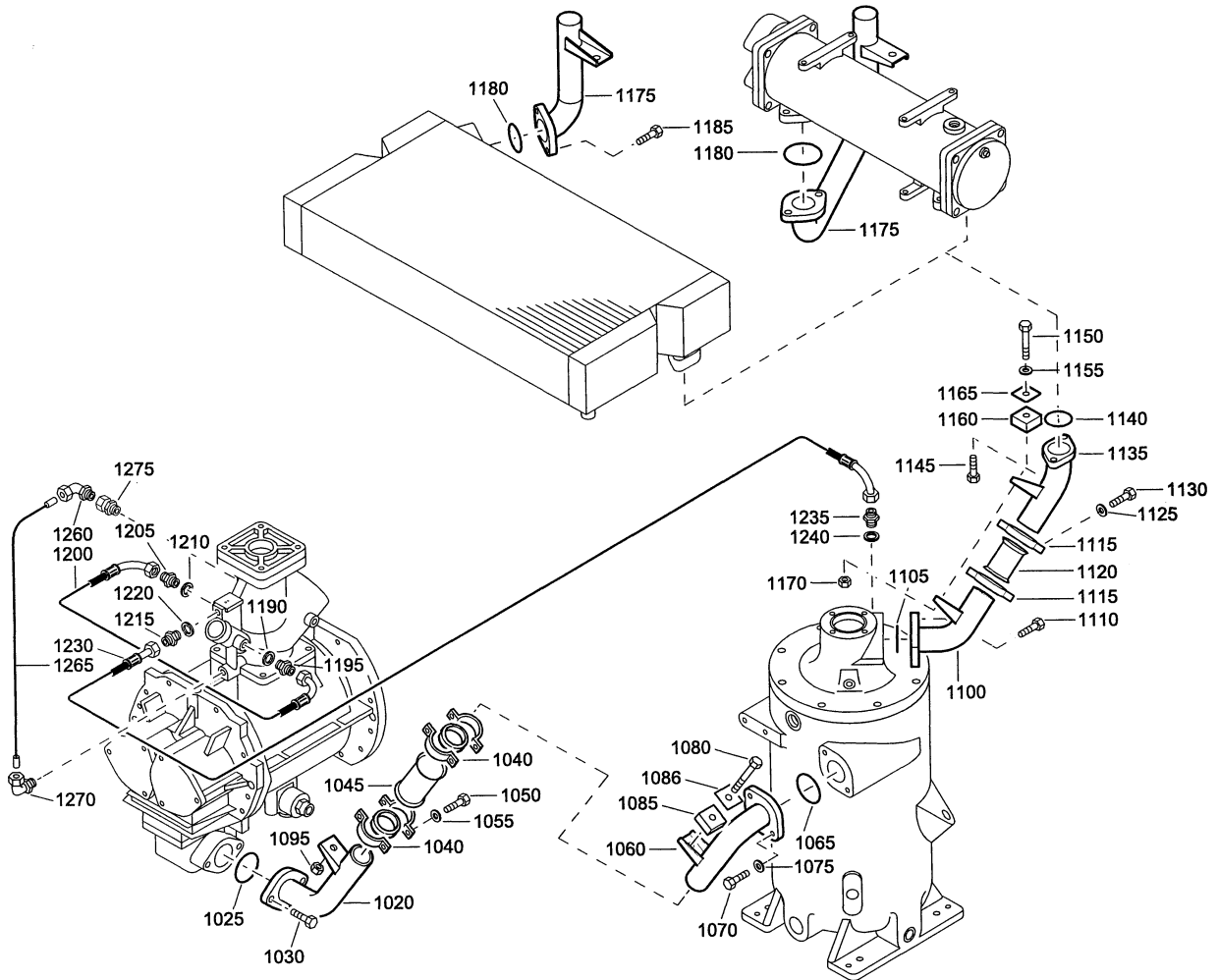
Motor and coupling



60385_08

Ref.	Part number	Qty	Name	Remarks	Ref.	Part number	Qty	Name	Remarks
1020	1613 8168 00	1	Coupling hub		1080 2960 02			GA30 230V/50Hz	
1025	0337 6068 00	1	Parallel key		1080 2961 02			GA37 230V/50Hz	
1030	1613 6885 00	1	Coupling element		1080 2962 02			GA45 230V/50Hz	
1035		1	Coupling		1080 2960 03			GA30 400V/50Hz	
	1613 6884 01		50Hz		1080 2961 03			GA37 400V/50Hz	
	1613 6884 02		60Hz		1080 2962 03			GA45 400V/50Hz	
1040		1	Gearcasing		1080 2960 04			GA30 500V/50Hz	
	1613 8163 00		50Hz		1080 2961 04			GA37 500V/50Hz	
	1613 8234 00		60Hz		1080 2962 04			GA45 500V/50Hz	
	1613 8639 00	1	Coupling housing		1080 2960 05			GA30 230V/60Hz-460V/60Hz	
1055	1619 6032 00	2	Nipple	SPM	1080 2961 05			GA37 230V/60Hz-460V/60Hz	
1070	0147 1477 03	4	Hexagon bolt		1080 2962 05			GA45 230V/60Hz-460V/60Hz	
2030		1	Spacer		1080 2960 06			GA30 380V/60Hz	
	1613 8285 02		GA30		1080 2961 06			GA37 380V/60Hz	
	1613 8385 01		GA37, GA45		1080 2962 06			GA45 380V/60Hz	
2035	0147 1485 03	1	Hexagon bolt		1080 2960 07			GA30 575V/60Hz	
2040	0301 2378 00	1	Washer		1080 2961 07			GA37 575V/60Hz	
3010		1	Motor		1080 2962 07			GA45 575V/60Hz	
	1080 2960 01		GA30 200V/50Hz		1080 2960 08			GA30 200V/60Hz	
	1080 2961 01		GA37 200V/50Hz		1080 2961 08			GA37 200V/60Hz	
	1080 2962 01		GA45 200V/50Hz		1080 2962 08			GA45 200V/60Hz	

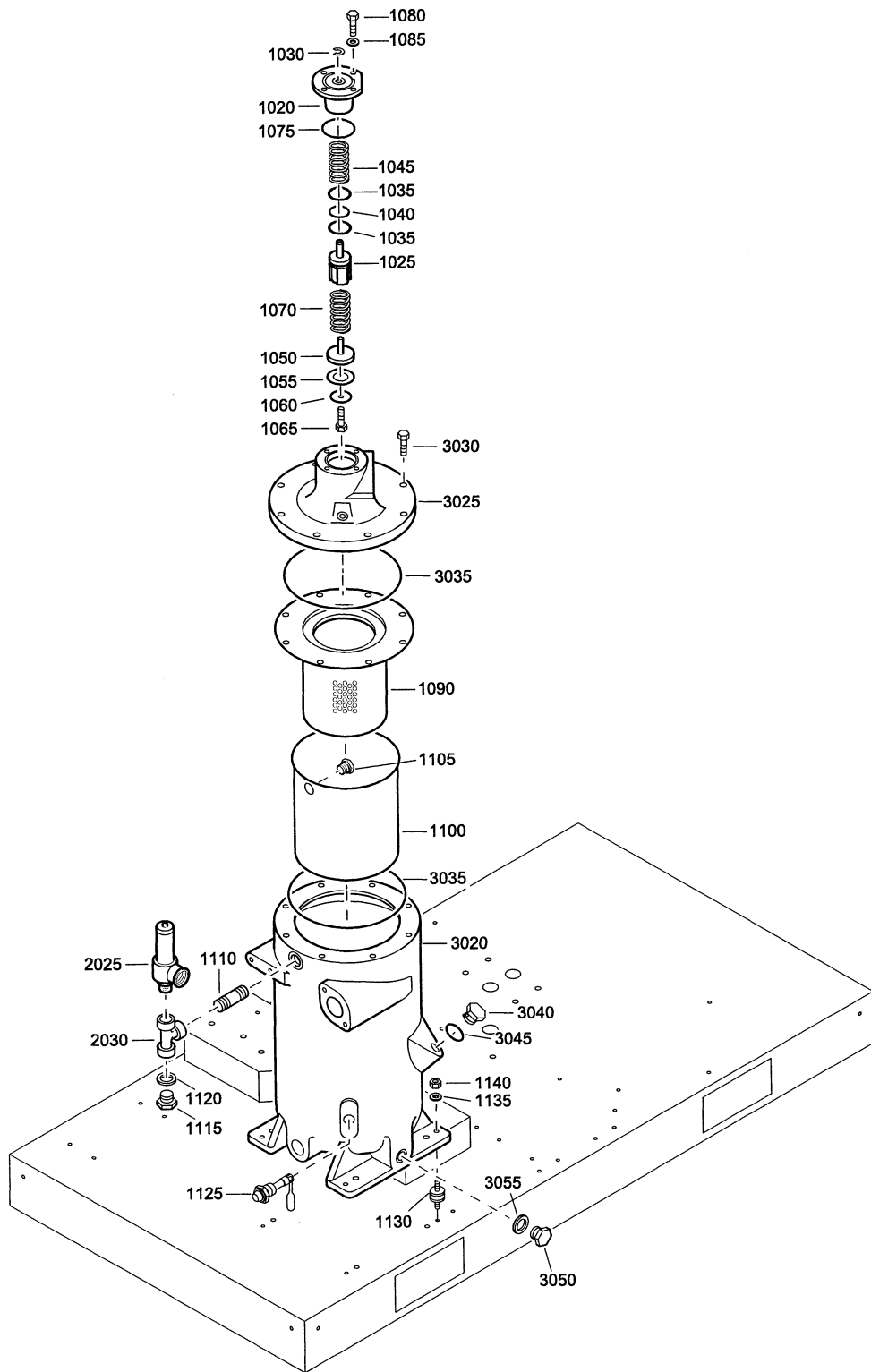
4



Air flow

Ref.	Part number	Qty	Name	Remarks	Ref.	Part number	Qty	Name	Remarks
1020	1613 8367 00	1	Pipe		1145	0147 1362 03	2	Hexagon bolt	
1025	0663 7136 00	1	O-ring		1150	0147 1962 69	1	Hexagon bolt	
1030	0211 1401 03	2	Cap screw		1155	0301 2344 00	1	Washer	
1040	1613 8377 80	2	Joint set		1160	1613 8451 01	1	Antivibration paper	
	1613 8377 00	1	Joint		1165	1613 8452 00	1	Washer	
1045	1613 8375 00	1	Pipe		1170	0291 1111 00	1	Locknut	
1050	0147 1960 44	4	Hexagon bolt		1175		1	Pipe	
1055	0301 2335 00	4	Washer			1613 8371 00		GA	
1060	1613 8368 00	1	Pipe			1613 8596 00		GA W	
1065	0663 7136 00	1	O-ring		1180		1	O-ring	
1070	0211 1363 03	2	Cap screw			0663 7134 00		GA	
1075	0301 2344 00	2	Washer			0663 7136 00		GA W	
1080	0147 1962 70	1	Hexagon bolt		1185	0147 1362 03	2	Hexagon bolt	
1085	1613 8451 01	2	Antivibration paper		1190	0653 1100 00	1	Flat gasket	
1086	1613 8452 00	2	Washer		1195	1079 5840 03	1	Nipple	
1095	0291 1111 00	1	Locknut		1200	0574 9914 01	1	Hose assembly	
1100		1	Pipe		1205	1079 5840 03	1	Nipple	
	1613 8369 00		GA		1210	0653 1100 00	1	Flat gasket	
	1613 8594 00		GA W		1215	1079 5840 20	1	Nipple	
1105	0663 7138 00	1	O-ring		1220	0653 1100 00	1	Flat gasket	
1110	0147 1362 03	2	Hexagon bolt		1230	0574 9914 02	1	Hose assembly	
1115	1613 8377 80	2	Joint set		1235	1079 5840 03	1	Nipple	
	1613 8377 00	1	Joint		1240	0653 1100 00	1	Flat gasket	
1120	1613 8375 00	1	Pipe		1260	0581 1200 23	1	Elbow coupling	
1125	0147 1960 44	4	Hexagon bolt		1265	0070 6002 05	AR	Plastic tube	
1130	0301 2335 00	4	Washer		1270	0581 1200 23	1	Elbow coupling	
1135		1	Pipe		1275	1613 6949 00	1	Adaptor	
	1613 8370 00		GA						
	1613 8595 00		GA W						
1140		1	O-ring						
	0663 7134 00		GA						
	0663 7136 00		GA W						

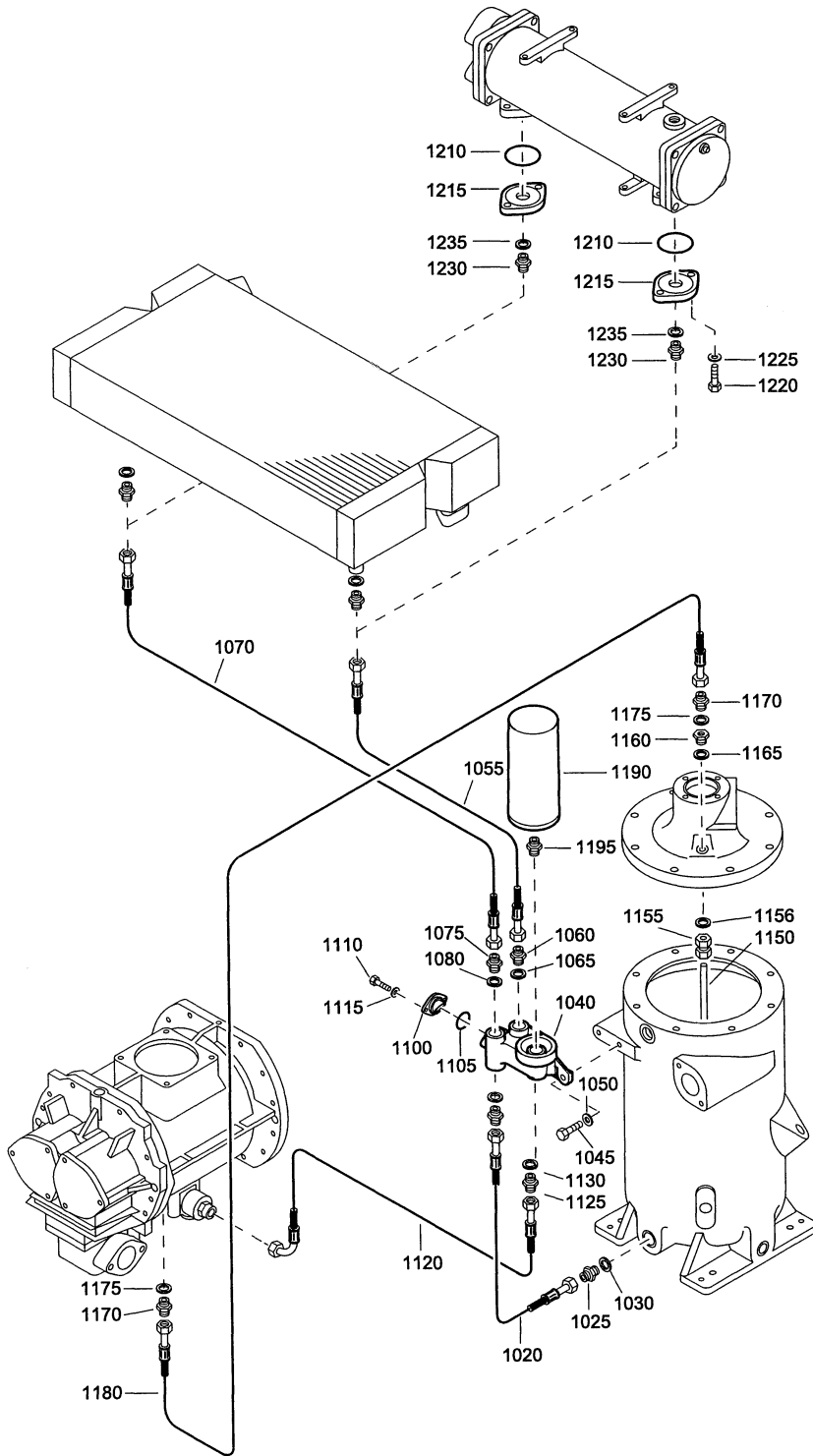
5



Air receiver

Ref.	Part number	Qty	Name	Remarks	Ref.	Part number	Qty	Name	Remarks
1020	1202 9747 00	1	Cover		2025		1	Safety valve	
1025	1613 3220 01	1	Piston			0832 1000 74		7.5 bar(e)	
1030	0335 3111 00	1	Retaining ring			0832 1000 78		10 bar(e)	
1035	1614 4662 00	2	Piston ring			0832 1000 79		13 bar(e)	
1040	0663 3133 00	1	O-ring			0830 1007 78		100-125psi	
1045	1612 4048 00	1	Spring			0830 1007 79		150-175psi	
1050	1613 3221 00	1	Piston valve		2026			Seal washer	
1055	1613 3223 01	1	Washer			0661 1000 29		psi	
1060	1613 3222 00	1	Washer		2030		1	Tee	
1065	0147 1244 03	1	Hexagon bolt			0564 0000 18		As	
1070	1612 4049 00	1	Spring			0564 0000 72		Others	
1075	0663 7136 00	1	O-ring				1	Vessel	
1080	0147 1362 03	4	Hexagon bolt			1613 8337 85		JIS	
1085	0301 2344 00	4	Washer			1613 8337 81		As	
1090	1613 8397 00	1	Oil separator element			1613 8337 82		L, D, S, Sa, T, Tk	
1100	1613 8399 00	1	Shield		3020		• 1	Vessel	
1105	1613 8103 00	1	Bushing		3025	1613 6790 01	• 1	Valve housing	
1110	0551 0001 05	1	Threaded pipe		3030		• 12	Hexagon bolt	
1115	0686 3716 02	1	Hexagon plug			0147 1960 64		LL, DIR, S	
1120	0661 1000 27	1	Seal washer			0147 1958 86		As, Jis	
1125	1616 5108 00	1	Level gauge		3035	0663 7168 00	• 2	O-ring	
1130	1613 8430 00	4	Antivibration pad		3040	1202 8992 00	• 1	Plug	
1135	0301 2335 00	4	Washer		3045	0663 2102 15	• 1	O-ring	
1140	0266 2110 00	4	Nut		3050	0686 3716 02	• 1	Hexagon plug	
					3055	0661 1000 27	• 1	Seal washer	

6

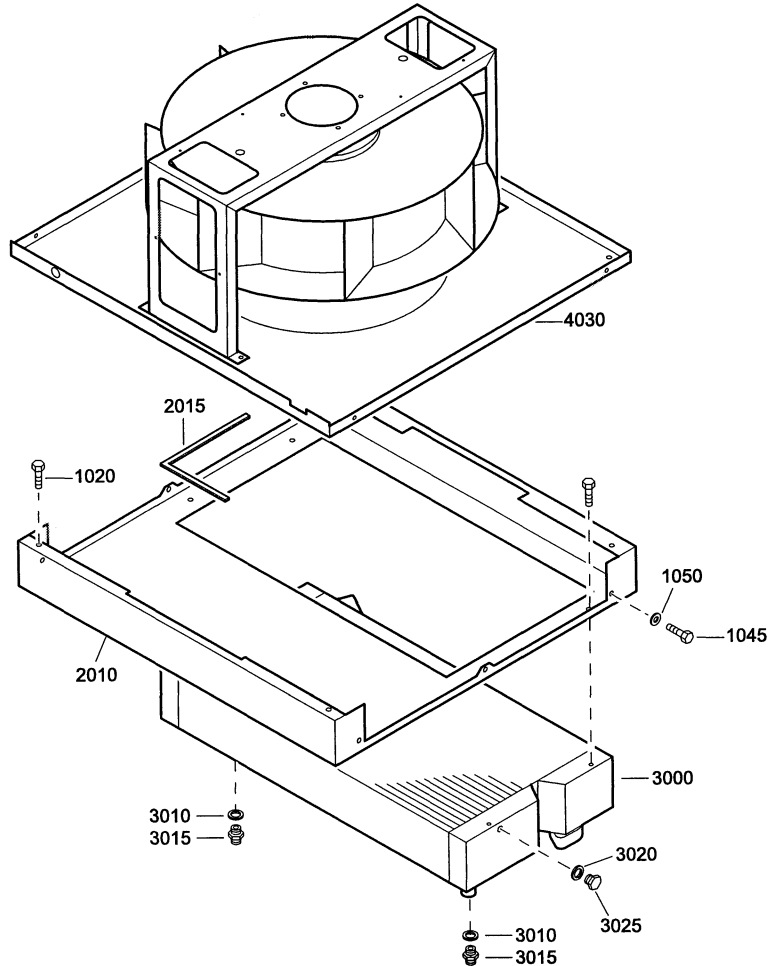


Oil system

Ref.	Part number	Qty	Name	Remarks	Ref.	Part number	Qty	Name	Remarks
1020	0574 9918 02	1	Hose assembly		1125	1619 5509 00	1	Nipple	
1025	1619 5509 00	2	Nipple		1130	0661 1000 29	1	Seal washer	
1030	0661 1000 29	2	Seal washer		1150	1613 8460 00	1	Pipe	
1040	1613 6883 03	1	Valve housing		1155	0580 0402 00	1	Pipe coupling	
1045	0147 1362 03	2	Hexagon bolt		1156	0653 1062 00	1	Flat gasket	
1050	0301 2344 00	2	Washer		1160	1614 4184 01	1	Nozzle	
1055	0574 9911 03	1	Hose assembly		1165	0653 1062 00	1	Flat gasket	
1060	1619 5509 00	1	Nipple		1170	1619 5205 00	2	Nipple	
1065	0661 1000 29	1	Seal washer		1175	0653 1062 00	2	Flat gasket	
1070		1	Hose assembly		1180	0574 9911 01	1	Hose assembly	
	0574 9910 06		GA		1190	1613 6105 00	1	Oil filter	
	0574 9911 03		GA W		1195	1619 3770 00	1	Nipple	
1075	1619 5509 00	1	Nipple		1210	0663 7136 00	2	O-ring	GA W
1080	0661 1000 29	1	Seal washer		1215	1613 7000 05	2	Flange	GA W
1100	1614 6118 00	1	Flange		1220	0301 2378 00	2	Washer	GA W
1105	0663 2101 95	1	O-ring		1225	0147 1401 03	2	Hexagon bolt	GA W
1110	0147 1246 03	2	Hexagon bolt		1230	1619 5509 00	2	Nipple	GA W
1115	0301 2321 00	2	Washer		1235	0661 1000 29	2	Seal washer	GA W
1120	0574 9911 05	1	Hose assembly						

7

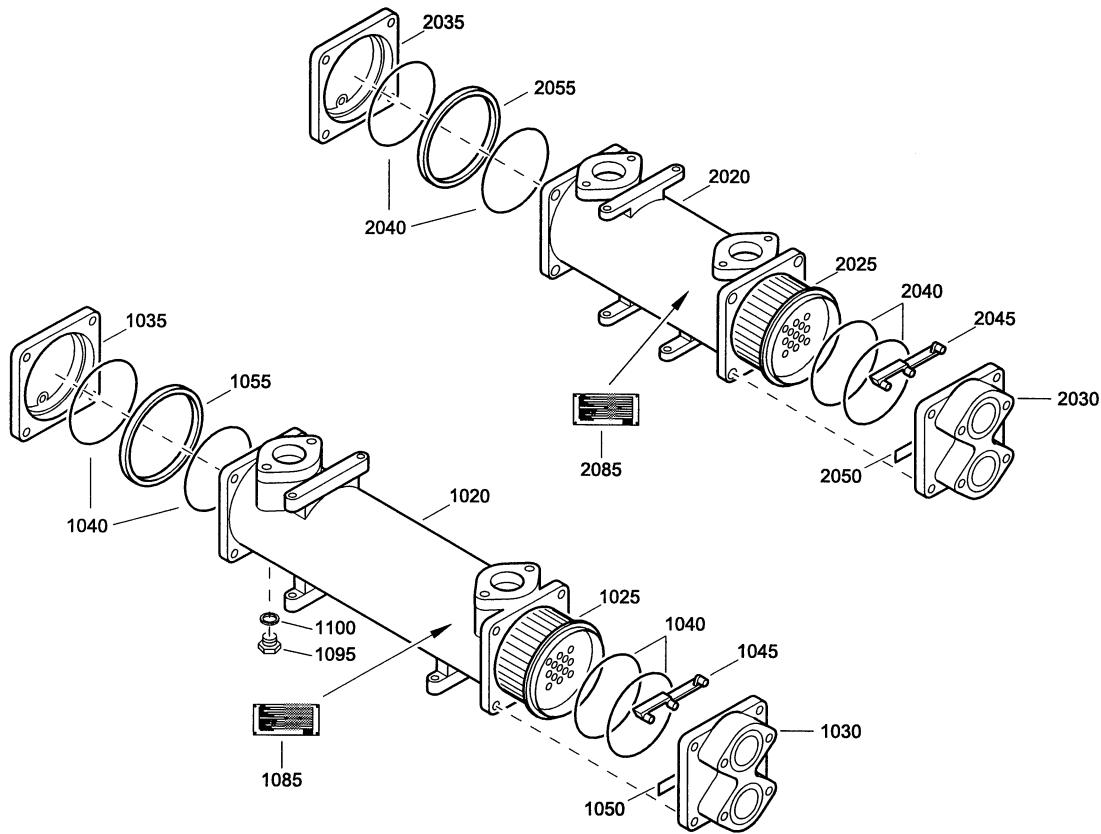
Cooler - GA



60408_04

Ref.	Part number	Qty	Name	Remarks	Ref.	Part number	Qty	Name	Remarks
1020	1079 1472 05	4	Bolt		3000		1	Cooler	
1045	0147 1322 03	6	Hexagon bolt		3010	0661 1038 00	2	Sealing washer	
1050	0301 2335 00	6	Washer		3015	1619 5509 00	2	Nipple	
		1	Support assembly		3020	0653 1062 00	1	Flat gasket	
	1613 8481 80		GA45		3025	0686 3716 01	1	Hexagon plug	
	1613 8483 80		GA30		4030		1	Fan assembly	
	1613 8482 80		GA37			1613 8532 01		230-400V/50Hz	
2010		1	Support			1613 8532 10		220-460V/60HZ	(C, U)
	1613 8481 00		GA45			1613 8532 06		200V/50Hz	
	1613 8483 00		GA30						
2015	1619 3843 00	AR	Seal						
		1	Cooler						
	1613 8364 00		GA45						
	1613 8366 00		GA30						
	1613 8365 00		GA37						

Coolers - GA W

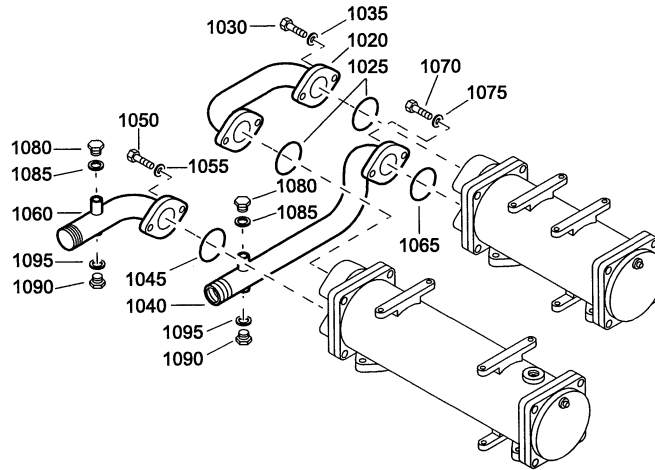


60409_04

Ref.	Part number	Qty	Name	Remarks	Ref.	Part number	Qty	Name	Remarks
	1613 7021 86	1	Oilcooler SA		1100	0661 1033 00 •	1	Gasket	
1020	1613 6200 00 •	1	Cylinder			1613 7022 86	1	Aftercooler SA	
1025	1613 7027 00 •	1	Tubestack		2020	1613 7024 00 •	1	Cylinder	
1030	1614 6249 00 •	1	Water box		2025	1613 7023 00 •	1	Tubestack	
1035	1614 6250 00 •	1	Return box		2030	1614 6249 00 •	1	Water box	
1040	1614 6256 00 •	4	O-ring		2035	1614 6250 00 •	1	Return box	
1045	1614 6258 00 •	1	Division rib		2040	1614 6256 00 •	4	O-ring	
1050	1614 6259 00 •	1	Gasket		2045	1614 6258 00 •	1	Division rib	
1055	1614 6257 00 •	1	Ring		2050	1614 6259 00 •	1	Gasket	
1085	9820 0857 00 •	1	Data plate instruction		2055	1614 6257 00 •	1	Ring	
1095	0686 3716 02 •	1	Drain plug		2085	9820 0857 00 •	1	Data plate instruction	

9

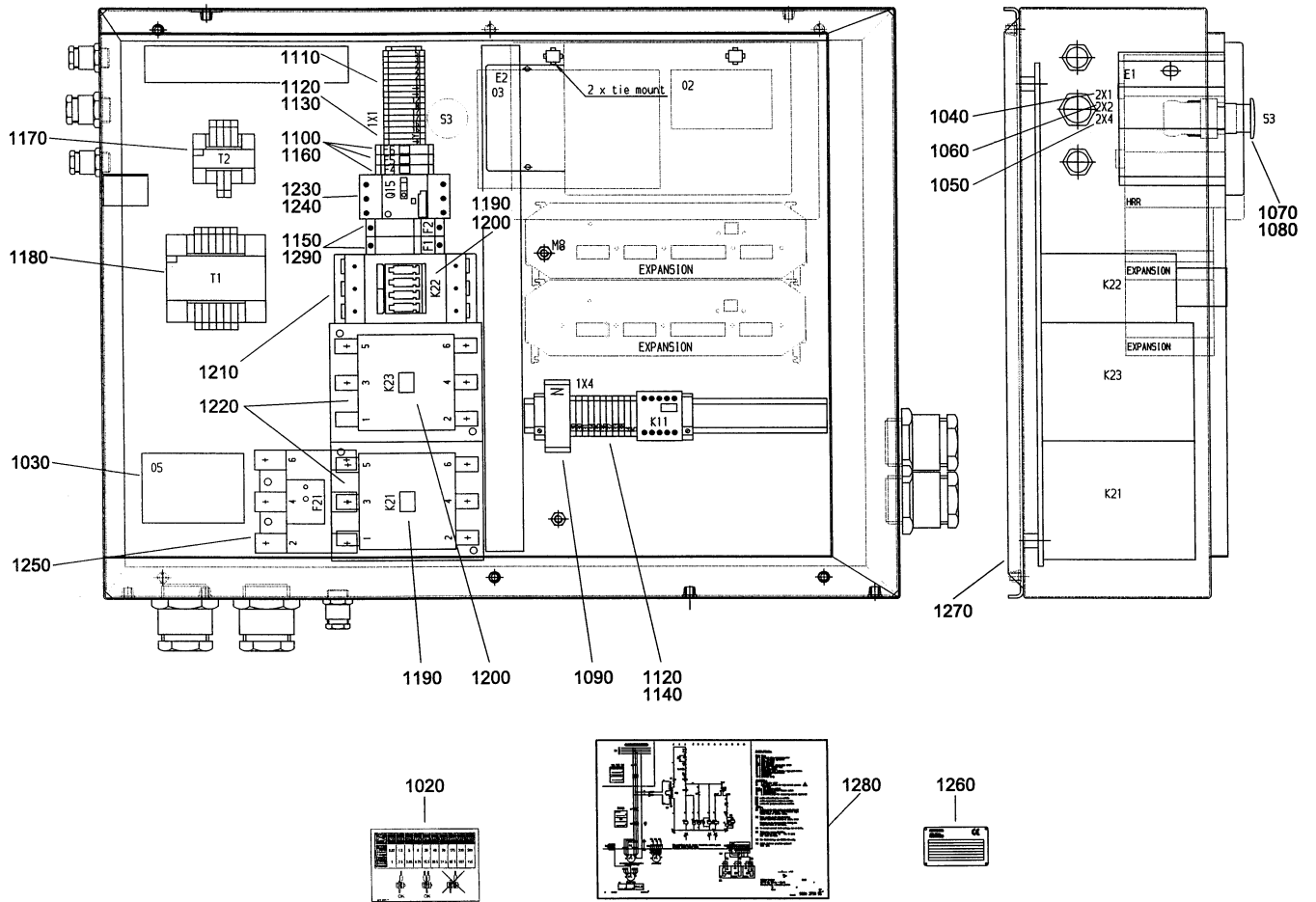
Water system - GA W



60403_06

Ref.	Part number	Qty	Name	Remarks	Ref.	Part number	Qty	Name	Remarks
1020	1613 6991 00	1	Pipe		1060	1613 8593 00	1	Pipe	
1025	0663 7135 00	2	O-ring		1065	0663 7135 00	1	O-ring	
1030	0147 1401 03	4	Hexagon bolt		1070	0147 1401 03	2	Hexagon bolt	
1035	0301 2358 00	4	Washer		1075	0301 2358 00	2	Washer	
1040	1613 8592 00	1	Pipe		1080	0686 3716 01	2	Hexagon plug	
1045	0663 7135 00	1	O-ring		1085	0653 1062 00	2	Flat gasket	
1050	0147 1401 03	2	Hexagon bolt		1090	0686 4203 00	2	Hexagon plug	
1055	0301 2358 00	2	Washer		1095	0653 1100 00	2	Flat gasket	

11

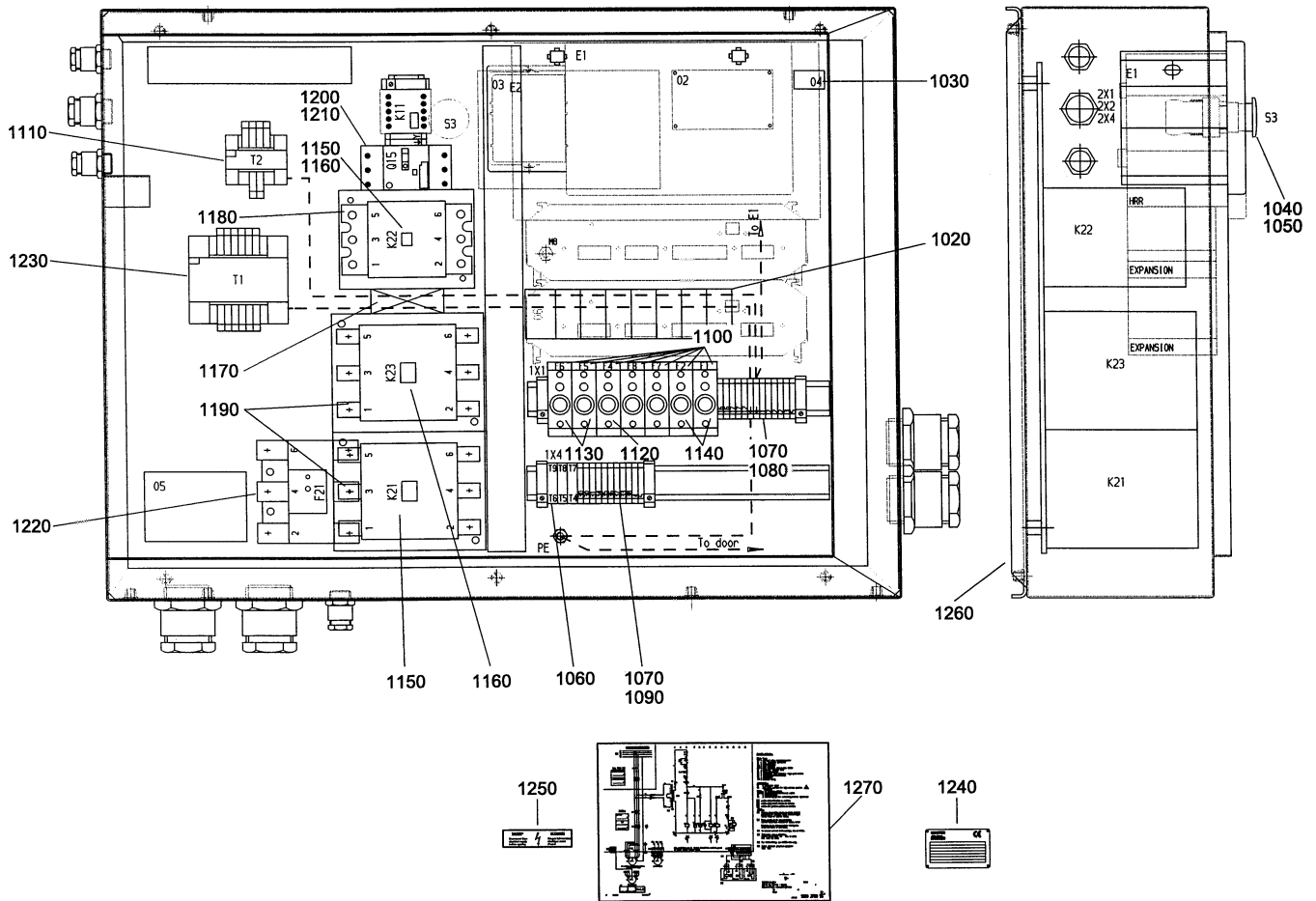


Start cubicle - star/delta - Pack / Full-feature

Ref.	Part number	Qty	Name	Remarks	Ref.	Part number	Qty	Name	Remarks
		1	Cubicle		1220		2	Contactor	
	1900 2013 03		GA30 400V/50Hz			1089 9415 32		1)2)	
	1900 2013 08		GA30 460V/60Hz			1089 9415 42		3)	
	1900 2013 09		GA37 200V/50Hz			1089 9415 33		4)5)	
	1900 2013 11		GA37 400V/50Hz			1089 9415 41		6)7)	
	1900 2013 14		GA37 460V/60Hz		1230	1089 9416 01	1	Contact block	
	1900 2013 17		GA45 400V/50Hz		1240		1	Circuit breaker	
	1900 2013 99		GA45 380V/60Hz			1089 9416 24		1)2)4)5)6)7)	
1020	1079 9906 09	• 1	Label			1089 9416 26		3)	
1030	1079 9911 77	• 1	Label		1250		1	Overload relay	
1040	1088 0014 04	• 1	Connector			1089 9424 40		1)5)	
1050	1088 0014 10	• 1	Connector			1089 9424 39		2)	
1060	1088 0014 15	• 1	Connector			1089 9424 48		3)	
1070	1089 0362 50	• 2	Contact block			1089 9424 41		4)	
1080	1089 0362 51	• 1	Emergency stop button			1089 9424 46		6)7)	
1090		• 1	Terminal		1260	1613 6639 00	• 1	Data plate	
	1089 0506 03		1)2)4)5)		1270	1613 8506 00	• 1	Plate	
	1089 0506 05		3)6)7)		1280	9820 2521 01	• 1	Service diagram	8)
1100	1089 0506 16	• 3	Fuse terminal		1290	1089 0612 29	• 2	Fuse	
1110		• 1	Terminal						
	1089 0506 60		1)2)4)5)						
	1089 0506 06		3)6)7)		1)	GA30 400V/50Hz			
1120	1089 0506 62	• 8	Terminal		2)	GA30 460V/60Hz			
1130	1089 0506 63	• 2	Terminal		3)	GA37 200V/50Hz			
1140	1089 0506 64	• 1	Terminal		4)	GA37 400V/50Hz			
1150	1089 0612 01	• 2	Fuse holder		5)	GA37 460V/60Hz			
1160	1089 9037 09	• 3	Fuse		6)	GA45 400V/50Hz			
1170	1089 9136 92	• 1	Transformer		7)	GA45 380V/60Hz			
1180		• 1	Transformer		8)	Supplied loose / Los geleverd / Levereras separat / Lose mitgeliefert / Livré séparément / Suministrado suelto / Fornito separatamente / Leveres separat / Fornecido separadamente / Leveres separat / Toimitetaan irrallisena			
	1089 9136 95		1)4)6)						
	1089 9436 02		2)3)5)7)						
1190	1089 9415 07	• 3	Contact block						
1200	1089 9415 08	• 3	Contact block						
1210		• 1	Contact block						
	1089 9415 23		1)						
	1089 9415 31		2)4)5)6)						
	1089 9415 41		3)						
	1089 9415 32		7)						

12

Start cubicle - star/delta - Pack / Full-feature CSA-UL

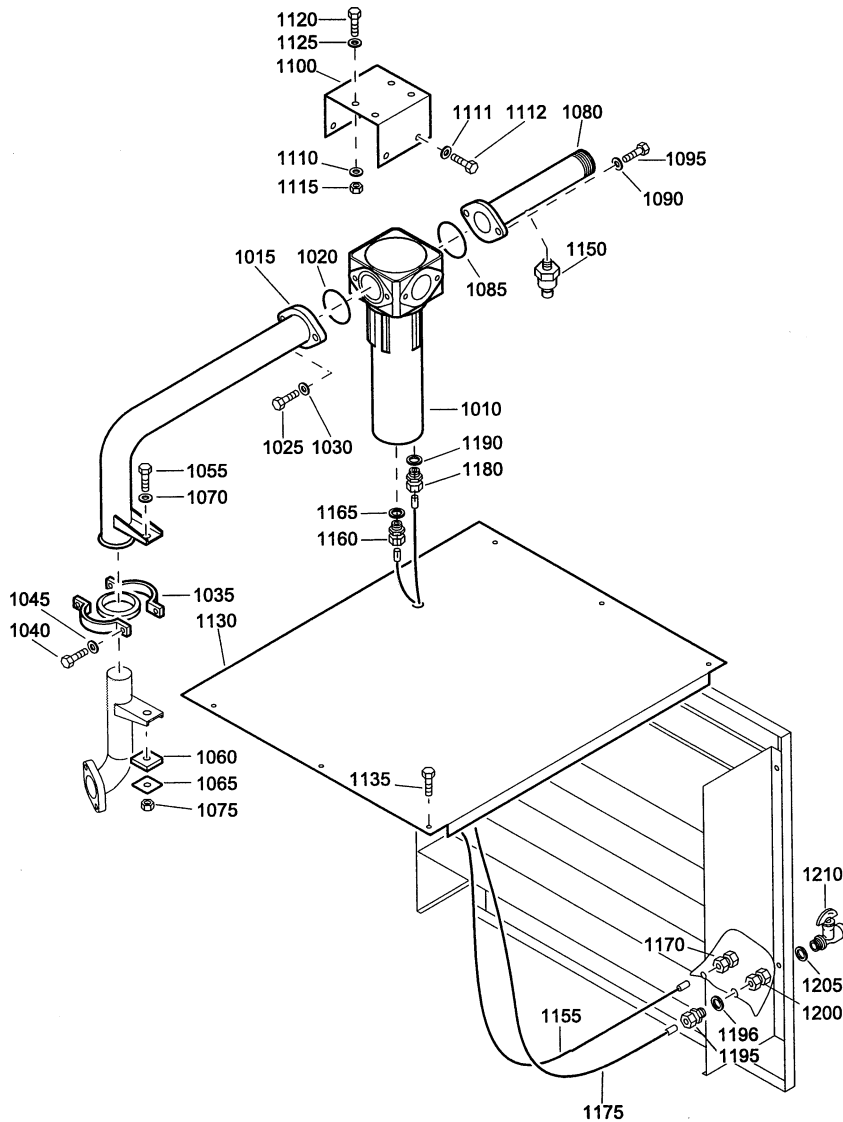


60445_12

Ref.	Part number	Qty	Name	Remarks	Ref.	Part number	Qty	Name	Remarks
	1900 2016 02	1	Cubicle						
			GA30 460V/60Hz,						
			GA37 460V/60Hz						
1020	1079 9909 66	• 1	Label		1160	1089 9415 08	• 3	Contact block	
1030	1079 9911 01	• 1	Label		1170	1089 9415 10	• 1	Interlock	
1040	1089 0362 50	• 2	Contact block		1180	1089 9415 34	• 1	Contactactor	
1050	1089 0362 51	• 1	Emergency stop button		1190	1089 9415 36	• 2	Contactactor	
1060	1089 0506 07	• 1	Terminal		1200	1089 9416 01	• 1	Contact block	
1070	1089 0506 62	• 7	Terminal		1210	1089 9416 23	• 1	Circuit breaker	
1080	1089 0506 63	• 3	Terminal		1220	1089 9424 39	• 1	Overload relay	
1090	1089 0506 64	• 1	Terminal		1230	1089 9436 02	• 1	Transformer	
1100	1089 9049 04	• 7	Fuse holder		1240	1613 3046 00	• 1	Data plate	
1110	1089 9136 92	• 1	Transformer		1250	1613 3431 00	• 1	Label	
1120	1089 9168 07	• 1	Fuse link		1260	1613 8506 00	• 1	Plate	
1130	1089 9168 09	• 2	Fuse link		1270	9820 2521 04	• 1	Service diagram	1)
1140	1089 9168 26	• 2	Fuse link						
1150	1089 9415 07	• 3	Contact block						

1) Supplied loose / Los geleverd / Levereras separat / Lose mitgeliefert / Livré séparément / Suministrado suelto / Fornito separatamente / Leveres separat / Fornecido separadamente / Leveres separat / Toimitetaan irrallisena

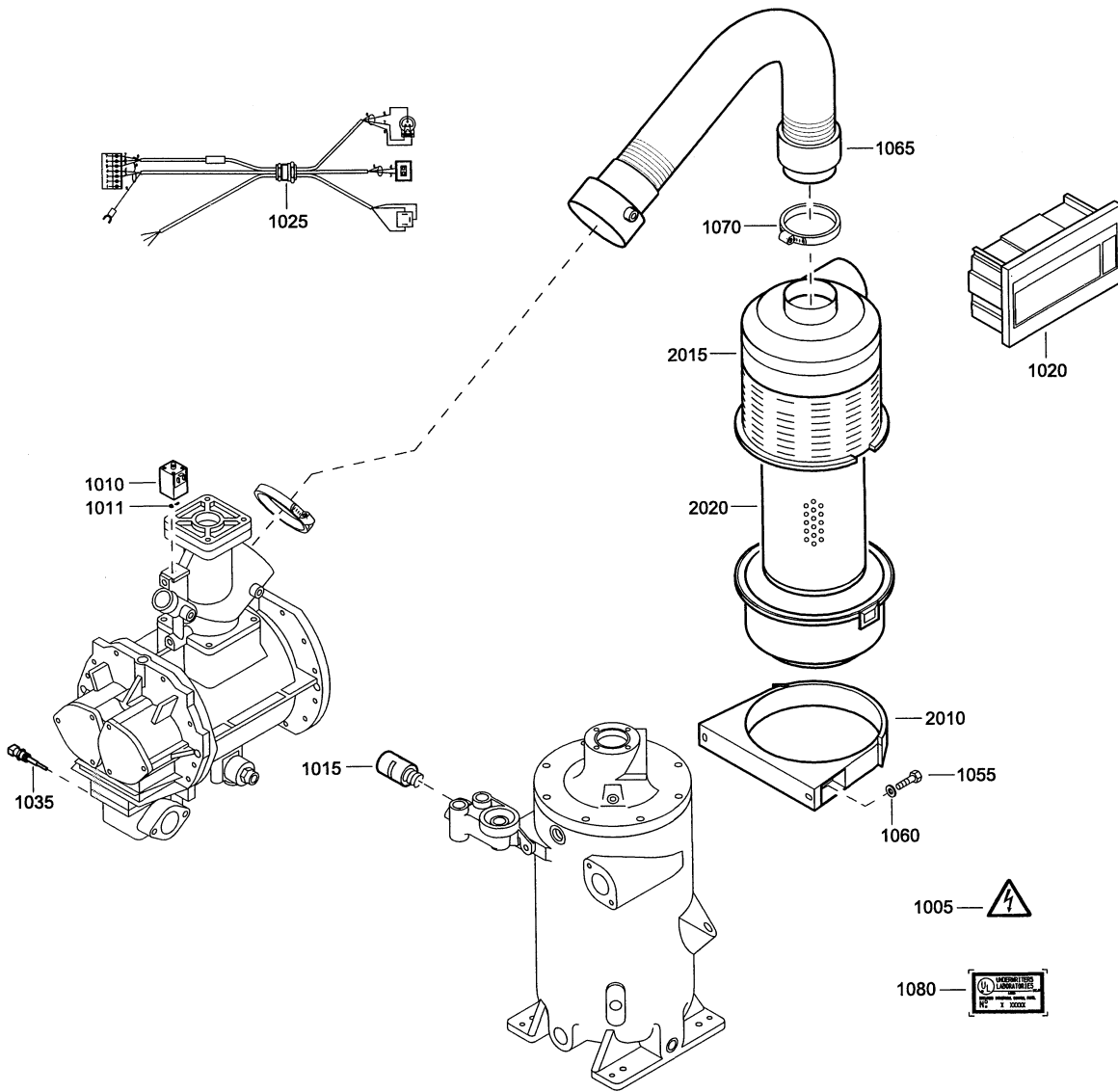
Water separator connections - Pack version



60414_06

Ref.	Part number	Qty	Name	Remarks	Ref.	Part number	Qty	Name	Remarks
1010	1617 0010 00	1	Waterseparator		1120	0147 1360 03	4	Hexagon bolt	
	0663 2101 71	1	O-ring		1125	0301 2344 00	4	Washer	
	2900 1017 00	1	Drain valve kit		1130	1613 8392 80	1	Baffle assembly	1)
1015	1613 8373 00	1	Pipe		1135	1079 1472 05	4	Bolt	
1020	0663 7136 00	1	O-ring		1150	1089 0575 41	1	Press.transducer	
1025	0147 1363 03	2	Hexagon bolt		1155	0070 6002 05	AR	Plastic tube	
1030	0301 2344 00	2	Washer		1160	0581 0000 35	1	Coupling	
1035	1613 8377 80	1	Joint set		1165	0661 1000 25	1	Seal washer	
	1613 8377 00	1	Joint		1170	0581 0000 55	1	Pipe coupling	
1040	0147 1960 44	2	Hexagon bolt		1175	0070 6002 04	AR	Plastic tube	
1045	0301 2335 00	2	Washer		1180	0581 0000 34	1	Coupling	
1055	0147 1379 03	1	Hexagon bolt		1190	0661 1000 25	1	Seal washer	
1060	1613 8451 02	1	Antivibration paper		1195	0581 0000 43	1	Coupling	
1065	1613 8452 00	1	Washer		1200	0581 0000 33	1	Coupling	
1070	0301 2344 00	1	Washer		1205	0653 1046 00	1	Flat gasket	
1075	0291 1111 00	1	Locknut		1210	1619 7336 00	1	Cock	
1080	1613 8374 00	1	Pipe						
1085	0663 7136 00	1	O-ring						
1090	0301 2344 00	2	Washer						
1095	0147 1363 03	2	Hexagon bolt						
1100	1613 8394 00	1	Support						
1110	0301 2335 00	4	Washer						
1115	0266 2110 00	4	Nut						
					1)			Lined with / Bekleed met / Beklädd med / Ausgekleidet mit / Garni de / Revestido de / Allineato con / Foret med / Revestido com / Kledd med / Vuorattu	
								Foam: 1079 0003 32 (AR) 30 x 2000 x 1500	

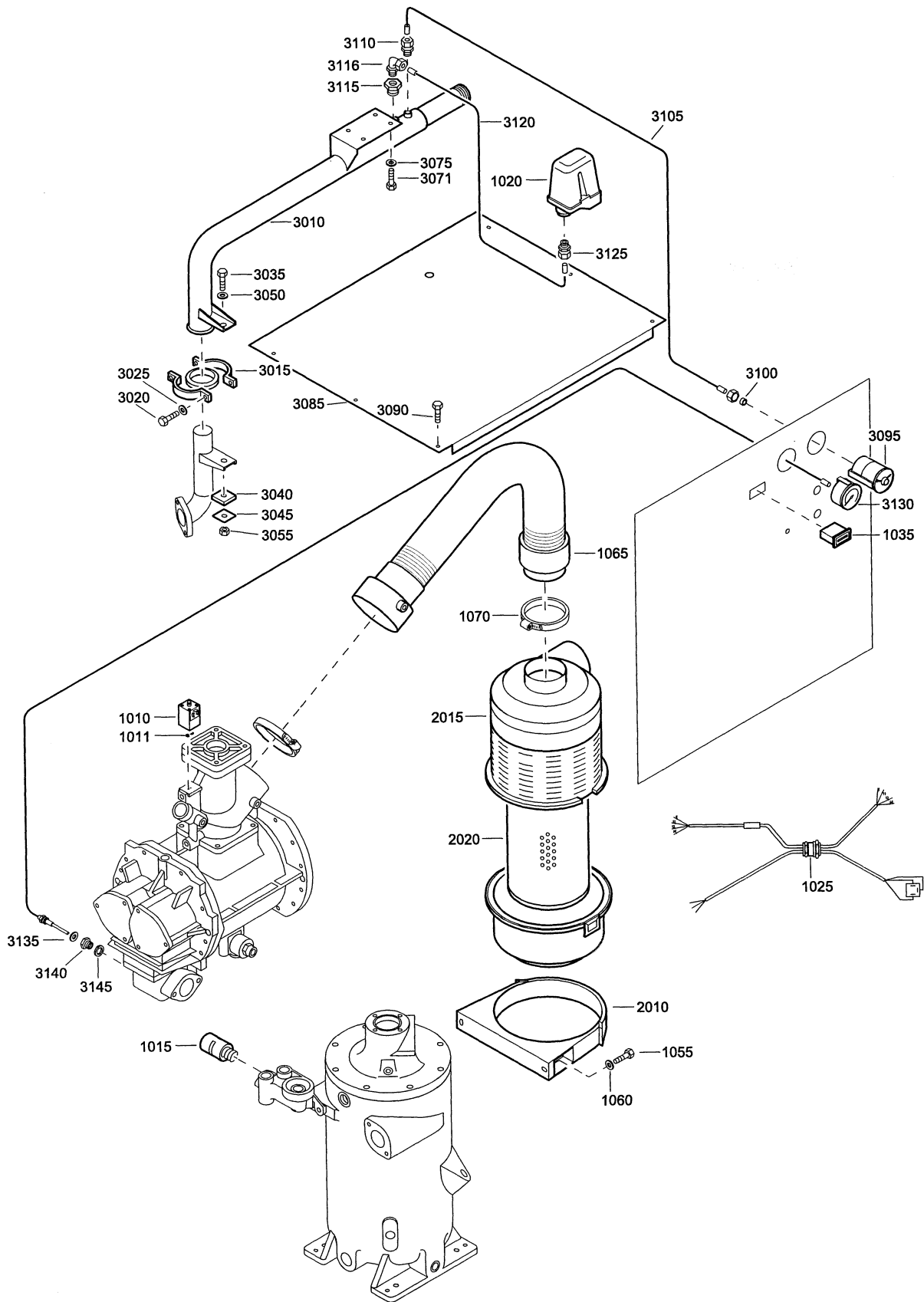
14



Regulating system - Pack + Full-feature

Ref.	Part number	Qty	Name	Remarks	Ref.	Part number	Qty	Name	Remarks
1005	1088 1001 01	1	Warning mark	(C, U)	1085	0129 3104 00	4	Blind rivet	(C, U)
1010		1	Solenoid valve				1	Airfilter assembly	
	1089 0428 21		220V/50Hz			1613 7400 81		1)	
	1089 0428 19		220V/60Hz			1613 7398 80		2)	
	1089 0428 20		110V/60Hz	(C, U)	2010		• 1	Support	
1011	0663 2104 83 •	2	O-ring			1613 7401 00		1)	
1015		1	Thermostat			1613 7399 00		2)	
	1619 7596 00		13bar(e), 175psig		2015		• 1	Air filter	
	1619 7333 00		Others			1613 7400 00		1)	
1020	1900 0700 06	1	Regulator			1613 7398 00		2)	
1025		1	Cable		2020		• 1	Element	
	1613 6947 01		(C, U)			1613 7408 00		1)	
	1613 6897 01		Others			1613 7407 00		2)	
1035	1089 0574 04	1	Temp.sensor						
1055	0147 1327 03	2	Hexagon bolt						1) GA37-7.5, GA37-8, GA37-100, GA45-7.5, GA45-8, GA45-10, GA45-100, GA45-125, GA45-150
1060	0301 2335 00	2	Washer						2) GA30, GA37-10, GA37-13, GA37-125, GA37-150, GA37-175, GA45-13, GA45-175
1065		1	Hose						
	1613 8580 00		1)						
	1613 8579 00		2)						
1070		1	Hose clip						
	0347 6115 00		1)						
	0347 6116 00		2)						
1080	1613 5330 00	1	Listing mark	(C, U)					

15

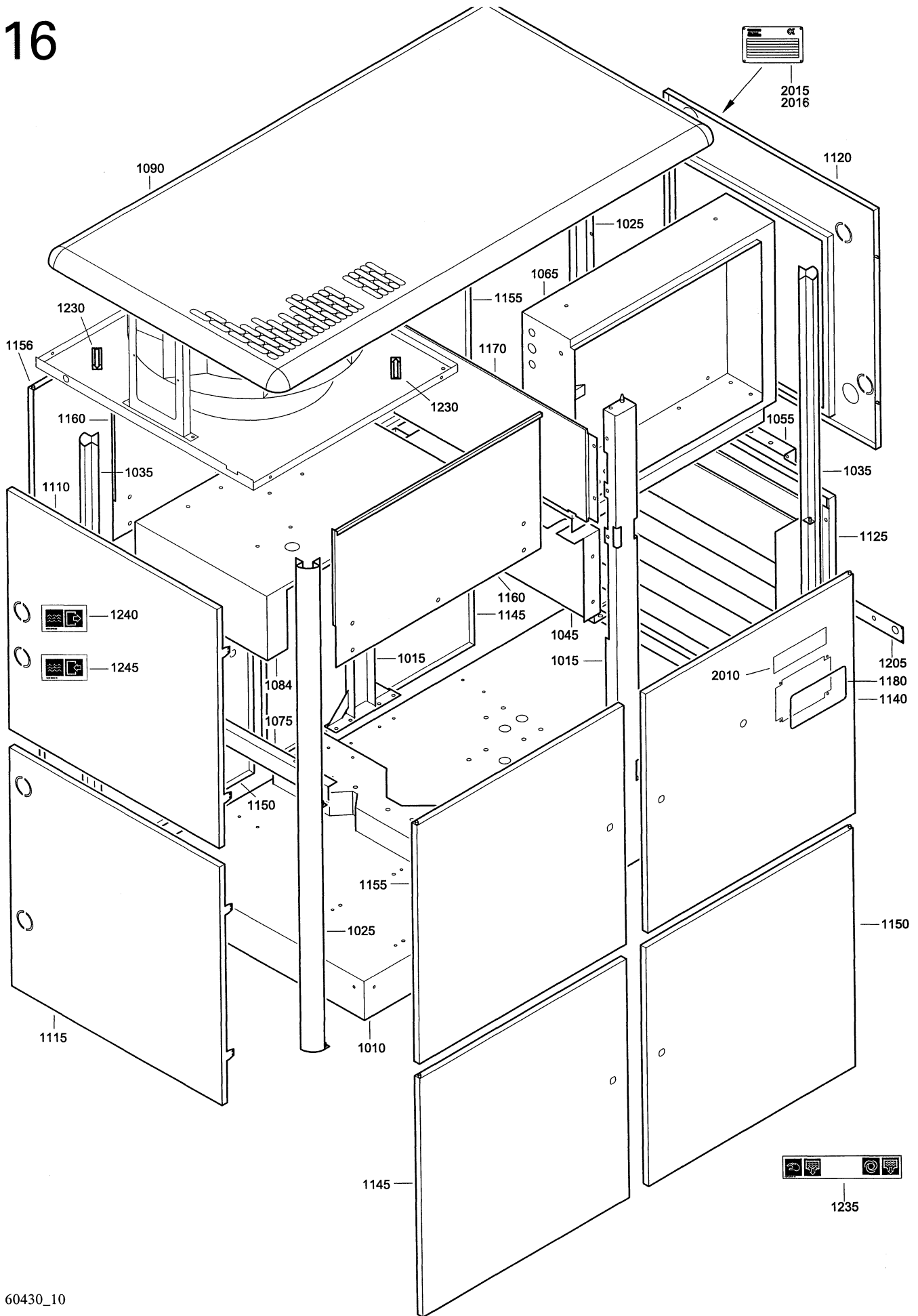


Regulating system - Standard Pack

Ref.	Part number	Qty	Name	Remarks	Ref.	Part number	Qty	Name	Remarks
1010	1089 0428 21	1	Solenoid valve		3015	1613 8377 80	1	Joint set	
1011	0663 2104 83	2	O-ring			1613 8377 00	1	Joint	
1015		1	Thermostat		3020	0147 1960 44	2	Hexagon bolt	
	1619 7596 00		13bar(e), 175psig		3025	0301 2335 00	2	Washer	
	1619 7333 00		Others		3035	0147 1379 03	1	Hexagon bolt	
1020		1	Press.switch		3040	1613 8451 02	1	Antivibration paper	
	1089 0397 45		13bar(e)		3045	1613 8452 00	1	Washer	
	1089 0397 46		7.5bar(e), 10bar(e)		3050	0301 2344 00	2	Washer	
1025	1613 6897 02	1	Cable		3055	0291 1111 00	1	Locknut	
1035	1089 9202 12	1	Hourmeter		3071	1619 2765 00	1	Screw	
1055	0147 1327 03	2	Hexagon bolt		3075	0301 2335 00	4	Washer	
1060	0301 2335 00	2	Washer		3085	1613 8392 80	1	Baffle assembly	
1065		1	Hose		3090	1079 1472 05	4	Bolt	
	1613 8580 00		1)		3095	1615 7264 00	1	Pressure gauge	
	1613 8579 00		2)		3100	0584 9904 00	1	Sleeve	
1070		1	Hose clip		3105	0070 6002 04	AR	Plastic tube	
	0347 6115 00		1)		3110	0581 1200 34	1	Coupling	
	0347 6116 00		2)		3115	0605 8505 04	1	Reduction	
		1	Airfilter assembly		3116	0581 1228 04	1	Elbow	
	1613 7400 81		1)		3120	0070 6002 05	AR	Plastic tube	
	1613 7398 80		2)		3125	0581 0000 73	1	Pipe coupling	
2010		1	Support		3130	1089 0376 47	1	Temp.switch	
	1614 7401 00		1)		3135	0661 1000 27	1	Seal washer	
	1613 7399 00		2)		3140	0605 8995 02	1	Bushing	
2015		1	Air filter		3145	0661 1000 26	1	Seal washer	
	1613 7400 00		1)						
	1613 7398 00		2)						
2020		1	Element						
	1613 7408 00		1)						
	1613 7407 00		2)						
3010	1613 8429 00	1	Pipe						

1) GA37-7.5, GA37-8, GA37-100, GA45-7.5, GA45-8, GA45-10, GA45-100, GA45-125, GA45-150
2) GA30, GA37-10, GA37-13, GA37-125, GA37-150, GA37-175, GA45-13, GA45-175

16



60430_10

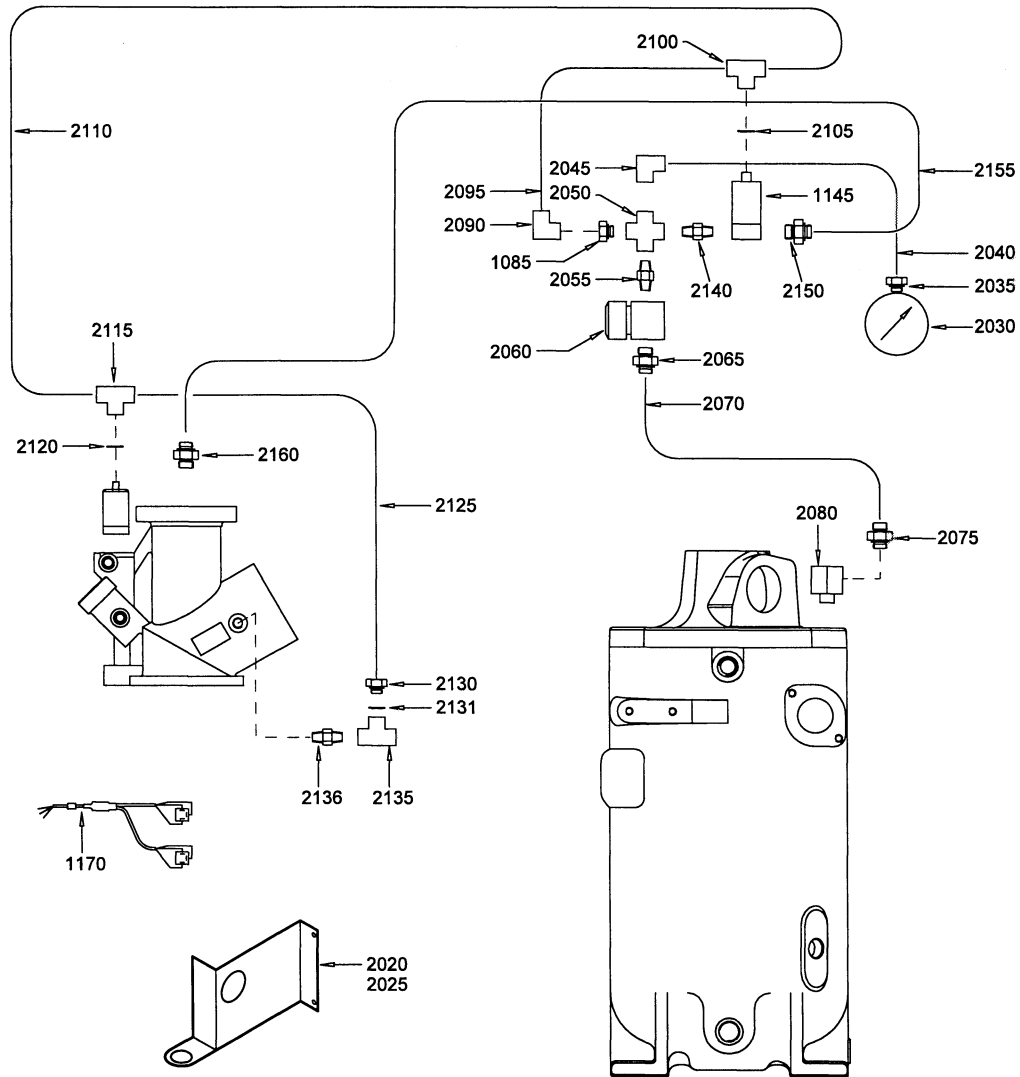
Bodywork

Ref.	Part number	Qty	Name	Remarks	Ref.	Part number	Qty	Name	Remarks
1010	1613 8362 00	1	Frame		1160	1613 8390 80	2	Baffle assembly	
1015	1613 8363 00	2	Beam			1619 3843 00 •	AR	Seal	self-adhesive (3 x 10)
1025	1613 8353 80	2	Corner profile			1613 8011 01 •	AR	Seal	self-adhesive (3 x 20)
1035	1613 8354 80	2	Corner profile			1079 9901 18 •	1	Label	
1045	1613 8386 00	1	Support		1170		1	Baffle	
1055	1613 8382 00	1	Support			1613 8391 00		GA	
1065	1613 8381 80	1	Cubicle assembly			1613 8598 00		GA W	
	1202 6584 00 •	AR	Seal		1180	1503 2467 00	AR	Seal cord	
	1619 3843 00 •	AR	Seal	self-adhesive	1205		1	Plate	
1075	1613 8387 00	1	Support			1613 8508 00		GA Pack + Full feature, GA W Pack + Full feature	
1084		1	Support			1503 0786 00	2	Rotation arrow	GA
	1613 8597 00		GA W Pack + Full feature		1235		1	Label	
1090	1613 8522 80	1	Roof assembly	1)		1079 9915 99		GA Pack + Full feature, GA W Pack + Full feature	
1110	1613 8514 80	1	Panel assembly	1)	1240	1079 9913 69	1	Label	GA W
	0690 1125 01 •	1	House mark		1245	1079 9913 79	1	Label	GA W
1115	1613 8513 80	1	Panel assembly	1)	2010		1	Decal	
1120	1613 8519 80	1	Panel assembly	1)		1613 9027 09		GA30 Pack, GA30 Standard Pack	
			GA Pack + Full feature, GA W Pack + Full feature			1613 9027 10		GA37 Pack, GA37 Standard Pack	
	1613 8484 01 •	1	Hinge			1613 9027 11		GA45 Pack, GA45 Standard Pack	
	1613 8486 00 •	1	Lock			1613 9027 12		GA30 Full Feature	
1125	1613 8552 80	1	GA Standard Pack			1613 9027 13		GA37 Full Feature	
			Inlet assembly	1)		1613 9027 14		GA45 Full Feature	
	1613 8384 80		GA Pack + Full feature, GA W Pack + Full feature		2015		1	Data plate	
	1613 8574 80		GA Standard Pack			1613 7394 00		50Hz	
1140	1613 8518 80	1	Cubicle door assembly	1)		1614 5933 00		60Hz	
			GA Pack + Full feature, GA W Pack + Full feature		2016	0129 3103 00	4	Rivet	
	1613 8484 01 •	1	Hinge				AR	Bolt	
	1619 7705 00 •	1	Lock			1619 5337 01		M8 x 30	
	1613 9028 00 •	1	Decal			1619 2766 00		M8 x 20	paint stripping
	1613 8575 80		GA Standard Pack			1079 1472 05		M8 x 20	bolt + washer
	1613 8484 01 •	1	Hinge			0147 1205 03		M5 x 12	
	1619 7705 00 •	1	Lock				AR	Tapping screw	
	1613 8576 00 •	1	Decal			0226 0300 46		M6 x 16	
1145	1613 8515 81	2	Door assembly			0226 3343 59		ST3.5 x 9.5	
	1613 8520 00 •	1	Foam				AR	Cap screw	
	1613 8484 02 •	1	Hinge			0211 1325 03		M8 x 25	
	1613 8485 00 •	1	Lock				AR	Washer	
	1613 8559 00 •	1	Plug			0301 2318 00		Ø5.3	
1150	1613 8515 82	2	Door assembly						
	1613 8520 00 •	1	Foam						
	1613 8484 01 •	1	Hinge						
	1613 8485 00 •	1	Lock						
	1613 8559 00 •	1	Plug						
1155	1613 8516 80	2	Door assembly						
	1613 8520 00 •	1	Foam						
	1613 8484 02 •	1	Hinge						
	1613 8485 00 •	1	Lock						
	0690 1125 01 •	1	House mark						
1156	1613 8517 80	1	Door assembly						
	1613 8520 00 •	1	Foam						
	1613 8484 01 •	1	Hinge						
	1613 8485 00 •	1	Lock						

1) Lined with / Bekleed met / Beklädd med /
Ausgekleidet mit / Garni de / Revestido de /
Allineato con / Foret med / Revestido com / Kledd med /
Vuorattu
Foam: 1079 0003 31 (AR) 25 x 2000 x 1500
1079 0003 32 (AR) 30 x 2000 x 1500
1079 0003 33 (AR) 50 x 2000 x 1500
1079 0003 27 (AR) 20 x 2000 x 1500

17

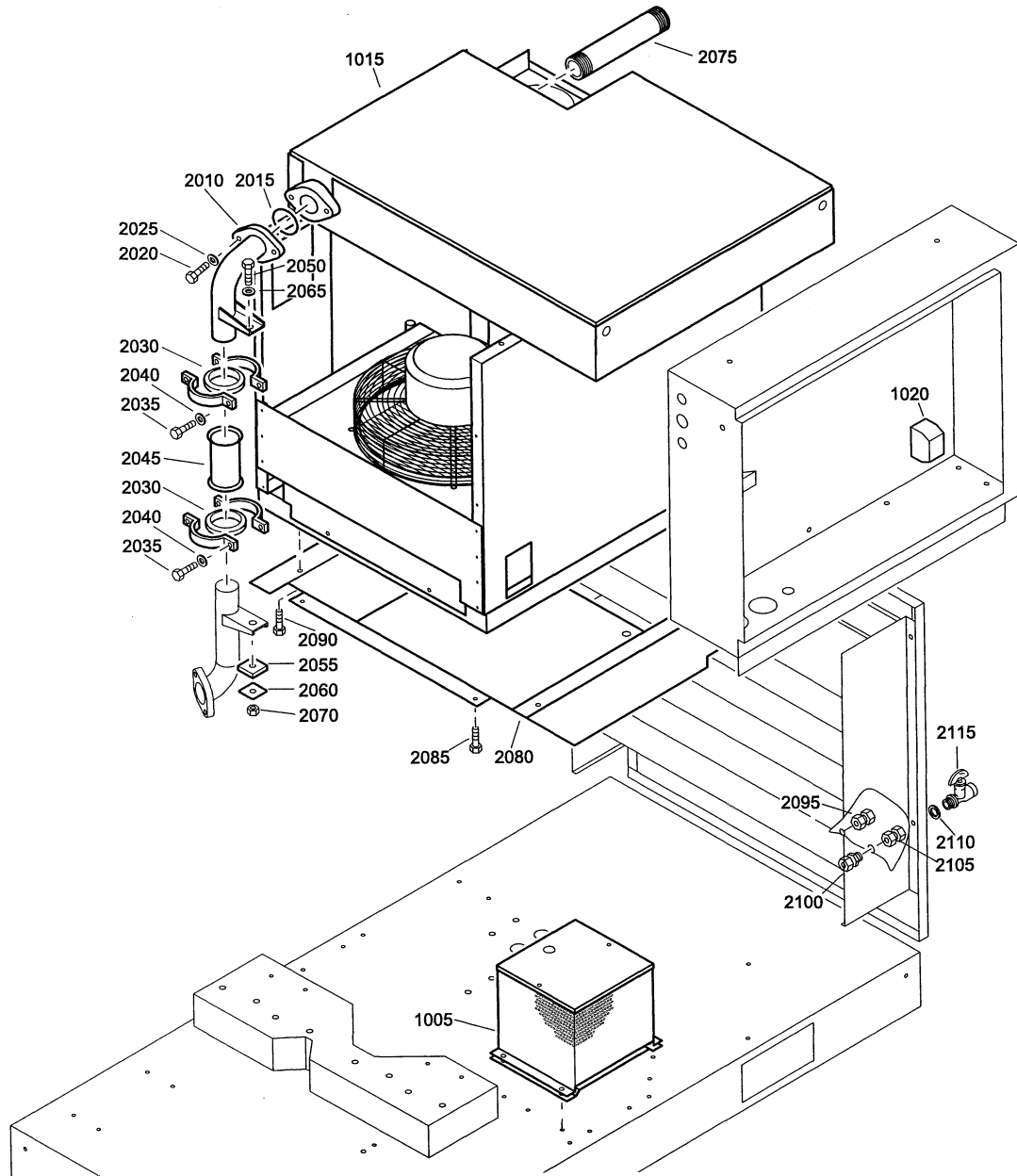
Modulating control (optional)



60465_20

Ref.	Part number	Qty	Name	Remarks	Ref.	Part number	Qty	Name	Remarks
1085		1	Nozzle		2070	0575 0402 11	1	Hose assembly	
	1613 6968 05		Ø1.4		2075	1079 5840 26	1	Hexagon nipple	
	1613 6968 06		Ø1.5		2080	1613 7367 00	1	Connection	
1145		1	Solenoid valve		2090	0581 1200 26	1	Elbow coupling	
	1089 0392 25		220V/50Hz		2095	0070 6002 05	AR	Plastic tube	
	1089 0392 26		220V/60Hz		2100	0581 2000 27	1	Pipe coupling	
	1089 0392 27		115V/60Hz	(C, U)	2105	0653 1046 00	1	Flat gasket	
1170		1	Cable		2110	0070 6002 05	AR	Plastic tube	
	1613 7381 00		(C, U)		2115	0581 2000 27	1	Pipe coupling	
	1613 7380 00		Others		2120	0653 1046 00	1	Flat gasket	
2020	1613 7366 00	1	Support		2125	0070 6002 05	AR	Plastic tube	
2025	1619 5337 01	2	Bolt		2130	0581 0000 35	1	Coupling	
2030	1615 7264 00	1	Pressure gauge		2131	0661 1000 25	1	Seal washer	
2035	0584 9904 00	1	Sleeve		2135	0564 0000 24	1	Tee	
2040	0070 6002 04	AR	Plastic tube		2136	0603 4102 03	1	Hexagon nipple	
2045	0581 1200 16	1	Elbow coupling		2140	1503 2564 01	1	Nipple	
2050	0560 4400 85	1	Cross		2150	1079 5840 25	1	Hexagon nipple	
2055	1503 2564 10	1	Nipple		2155	0575 0791 27	1	Hose assembly	
2060	1613 6961 00	1	Regulator		2160	1079 5840 25	1	Hexagon nipple	
2065	1079 5840 26	1	Hexagon nipple						

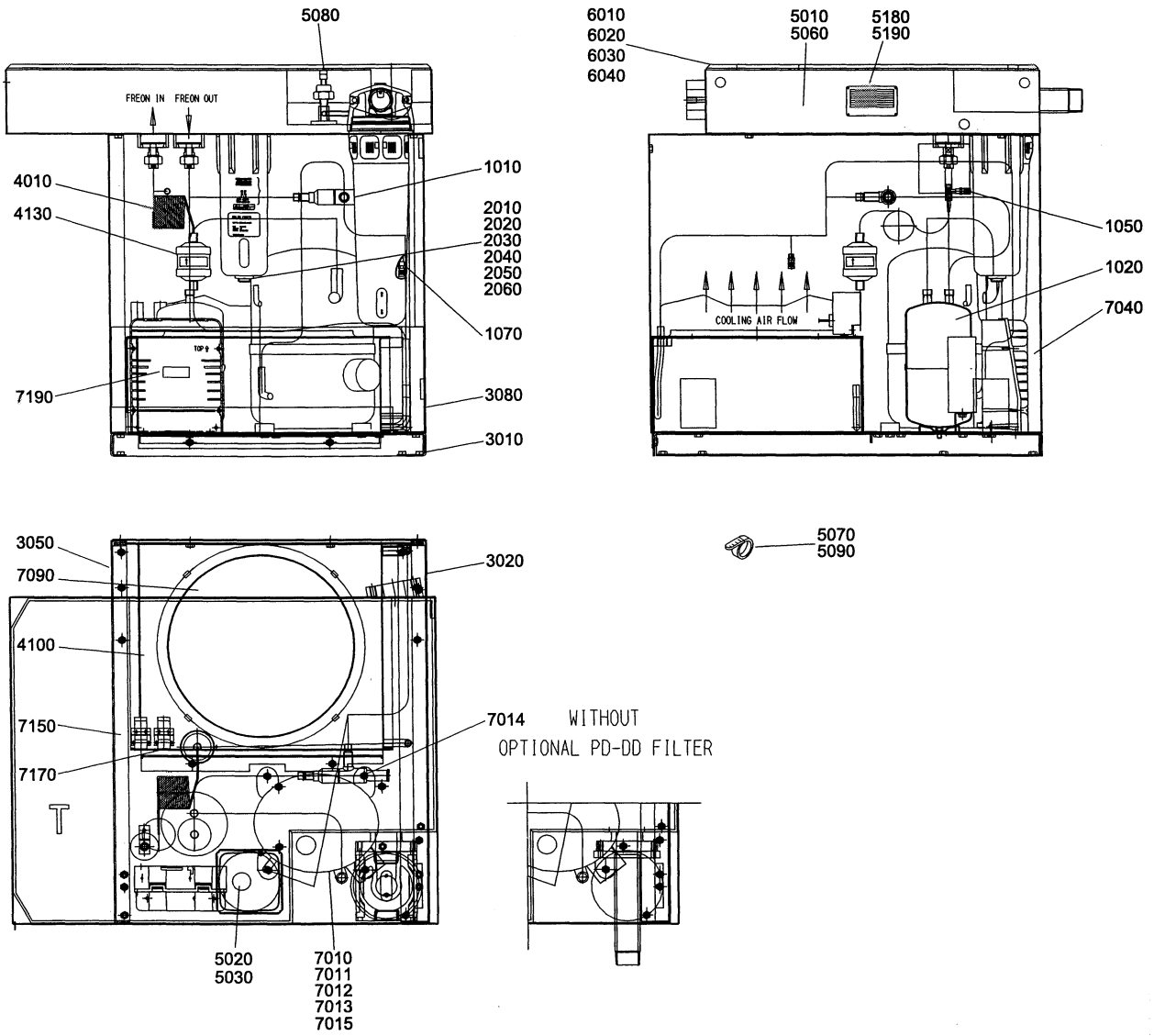
Air dryer connections (optional)



60442_17

Ref.	Part number	Qty	Name	Remarks	Ref.	Part number	Qty	Name	Remarks
1005		1	Trafo assy		2030	1613 8377 80	2	Joint set	
	1089 9437 07	1	Transformer			1613 8377 00	1	Joint	
	1089 9437 08		ID90	(C, U)	2035	0147 1960 44	4	Hexagon bolt	
	1089 9437 04		ID110	(C, U)	2040	0301 2335 00	4	Washer	
1015	<<< >>>	1	Dryer		2045	1613 8375 00	1	Pipe	
1020		1	Contactor		2050	0147 1962 69	1	Hexagon bolt	
	1089 9415 15		ID90	(C, U)	2055	1613 8451 02	1	Antivibration paper	
	1089 9415 16		ID110	(C, U)	2060	1613 8452 00	1	Washer	
	1089 9415 25		ID150	(C, U)	2065	0301 2344 00	1	Washer	
	1089 9415 12		ID90		2070	0291 1111 00	1	Locknut	
	1089 9415 13		ID110		2075	0551 0002 02	1	Pipe	
	1089 9415 22		ID150		2080	1613 8383 80	1	Baffle assembly	
2010	1613 8372 00	1	Pipe		2085	1079 1472 05	5	Bolt	
2015	0663 7136 00	1	O-ring		2090	1619 2766 00	4	Bolt	
2020	0147 1364 03	2	Hexagon bolt		2095	0581 0000 55	1	Pipe coupling	
2025	0301 2344 00	2	Washer		2100	0581 0000 43	1	Coupling	
					2105	0581 0000 33	1	Coupling	
					2110	0653 1046 00	1	Flat gasket	
					2115	1619 7336 00	1	Cock	

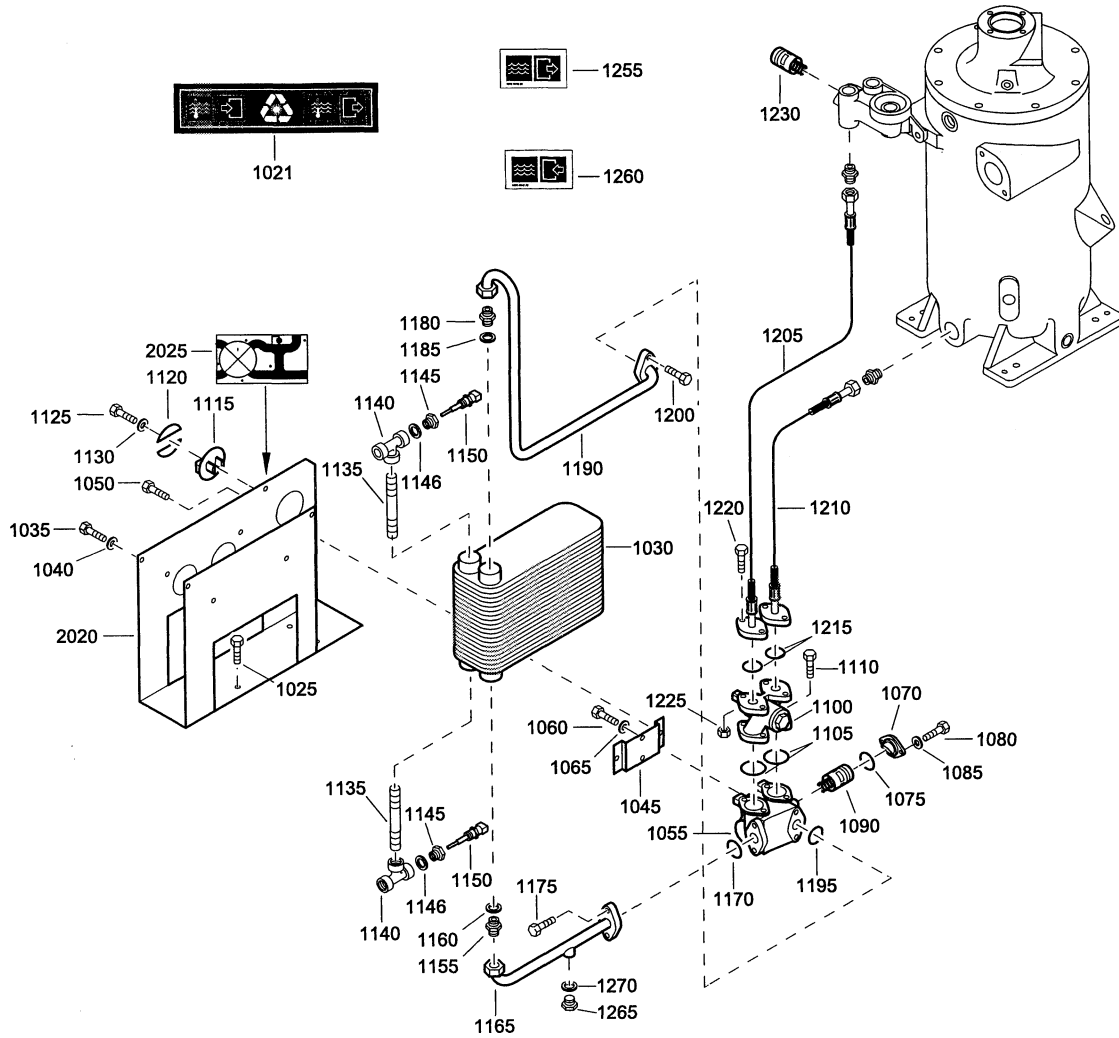
19



Air dryer (optional)

Ref.	Part number	Qty	Name	Remarks	Ref.	Part number	Qty	Name	Remarks
		1	Dryer kit		6020		1	Insulation bottom	
	8092 2431 07		Id90 230V/50Hz			1617 1873 00		Id90 230V/50Hz	
	8092 2431 15		Id90 200V/50Hz			1617 1710 00		Id110	
	8092 2431 23		Id90 230V/60Hz	(C, U)		1617 1958 00		Id150	
	8092 2431 31		Id110 230V/50Hz		6030		1	Insulation top	
	8092 2431 49		Id110 200V/50Hz			1617 1872 00		Id90 230V/50Hz	
	8092 2431 56		Id110 230V/60Hz	(C, U)		1617 1709 00		Id110	
	8092 2430 72		Id150 230V/50Hz			1617 1957 00		Id150	
	8092 2430 81		Id150 200V/50Hz		6040	1617 1839 00	1	Filling block	
	8092 2430 99		Id150 230V/60Hz	(C, U)	7010		1	Refrigerant compressor	
1010	1617 1524 02	1	Hot gas bypass			1617 1494 08		Id90 230V/50Hz	
1020	1617 1765 00	1	Liq. separator			1617 1494 10		Id110 230V/50Hz	
1050	1619 5563 02	1	Schrädrventiel			1617 1494 13		Id110 200V/50Hz	
1070	1619 5563 02	1	Schrädrventiel			1617 1494 11		Id110 230V/60Hz	
2010	0653 1062 00	1	Flat gasket			1617 1827 01		Id150 230V/50Hz	
2020	0661 1020 00	1	Sealing washer			1617 1827 02		Id150 230V/60Hz	
2030	0581 0000 35	2	Drain connection		7011		• 1	Capacitor	
2040	0070 6002 05	AR	Hose			1617 1549 10		Id90 230V/50Hz,	
2050	0070 6002 05	AR	Hose					Id110 230V/60Hz,	
2060	1088 0801 40	1	Grommet					Id150 230V/50Hz	
3010	1617 1694 00	1	Frame			1617 1549 07		Id110 230V/50Hz,	
3020	1617 1703 00	1	Support right					Id110 200V/50Hz	
3050	1617 1704 00	1	Support left			1617 1549 12		Id150 230V/60Hz	
3080	1617 1705 00	1	Plate		7012		• 1	Run capacitor	
4010		1	Capillary ass'y			1617 1874 02		Id90 230V/50Hz	
	1617 1828 81		Id90			1617 1874 03		Id110 230V/50Hz,	
	1617 1828 82		Id110					Id110 200V/50Hz,	
	1617 1828 83		Id150					Id110 230V/60Hz,	
4100		1	Condensor			1617 1874 04		Id150 230V/60Hz	
	1617 1700 00		Id90, Id110		7013		• 1	Start relay	
	1617 1838 00		Id150			1617 1551 19		Id90 230V/50Hz	
4130		1	Filter-dryer			1617 1551 21		Id110 230V/50Hz	
	1617 1322 03		Id90, Id110			1617 1551 22		Id110 200V/50Hz	
	1617 1322 04		Id150			1617 1551 20		Id110 230V/60Hz	
5010		1	Heat exchanger			1617 1551 23		Id150 230V/50Hz	
	1617 1696 00		Id90 230V/50Hz			1617 1551 24		Id150 230V/60Hz	
	1617 1695 00		Id110		7014	1617 1530 80	• 1	Anti-vibration set	
	1617 1945 00		Id150		7015		• 1	Overload protector	
5020		1	Waterseparator			1617 1550 21		Id90 230V/50Hz	
	1617 2000 00		Id90, Id110			1617 1550 23		Id110 230V/50Hz,	
	1617 2093 00		Id150					Id110 200V/50Hz	
	0663 6147 00	• 1	O-ring			1617 1550 22		Id110 230V/60Hz	
	2900 1017 00	• 1	Drain valve kit		7040		1	Electrical box	
5030	0663 7136 00	2	O-ring			1617 1248 00		Id90, Id110	
5060	1089 0574 03	1	Temp. sensor			1617 2028 00		Id150	
5070	0348 0101 13	1	Cable tie		7090		1	Fan ass'y	
5080		1	Press. sensor			1617 1987 80		Id90 230V/50Hz, Id110	
	1089 0575 11		Id90 230V/50Hz					230V/50Hz, Id110 230V/	
	1089 0575 41		Id110, Id150					60Hz, Id150	
5090	0348 0101 13	1	Cable tie			1617 2015 80		Id110 200V/50Hz	
5180	1617 0745 00	1	Data plate				• 1	Motor	
5190	0129 3103 00	4	Blind rivet			1617 1989 00	• 1	Grating	
		1	Box ass'y			1617 1994 00	• 1	Fan	
	1603 1698 80		Id90 230V/50Hz		7150		1	High pressure switch	
	1603 1698 81		Id110			1619 5703 00		Id90	
	1603 1698 82		Id150			1089 9214 40		Id110, Id150	
6010	1617 1698 00	1	Box heat exchanger		7170	1089 9214 35	1	Fan pressure switch	
					7190	1088 1001 01	1	Warning mark	

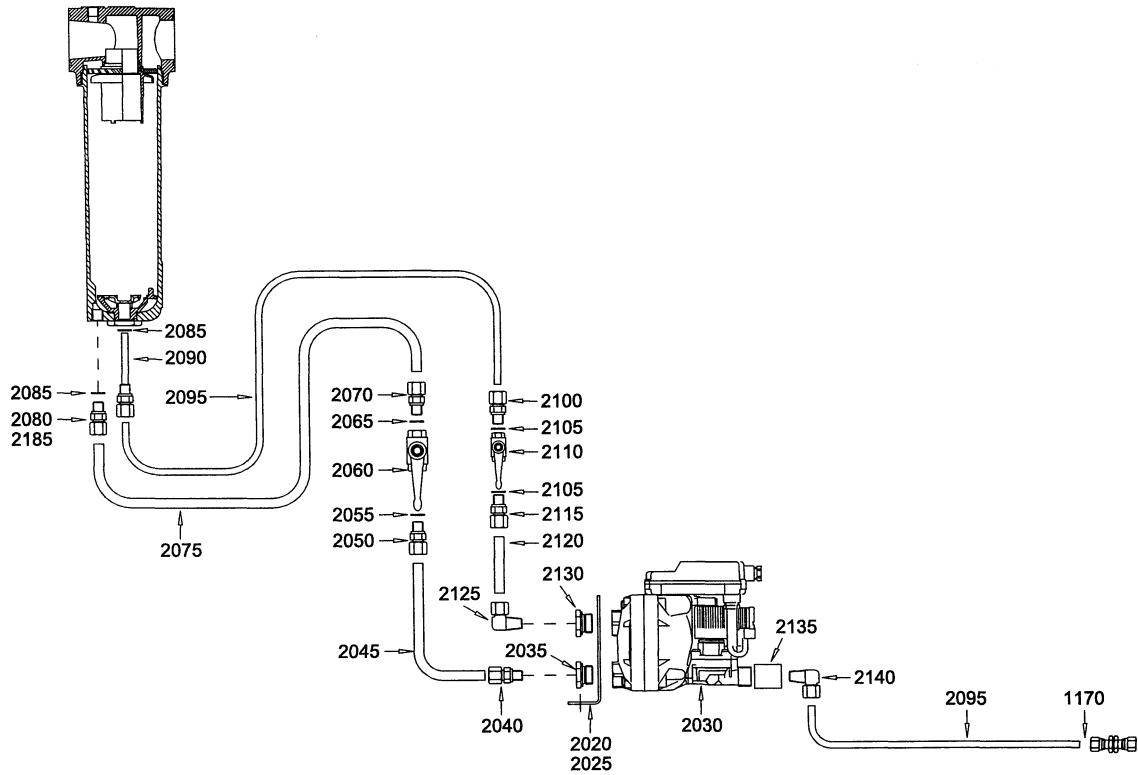
20



Heat recovery system (optional)

Ref.	Part number	Qty	Name	Remarks	Ref.	Part number	Qty	Name	Remarks
1021	1079 9911 57	1	Label		1150	1619 2841 00	2	Thermometer	
1025	1619 2766 00	4	Bolt		1155	1079 5840 22	1	Nipple	
1030	1613 7634 00	1	Heat exchanger		1160	0661 1000 30	1	Seal washer	
1035	0147 1344 03	4	Hexagon bolt		1165	1613 7062 00	1	Pipe	
1040	0301 2335 00	4	Washer		1170	0663 3129 00	1	O-ring	
1045	1613 7061 00	1	Bracket		1175	0147 1325 03	2	Hexagon bolt	
1050	1619 2766 00	2	Bolt		1180	1079 5840 22	1	Nipple	
1055	1202 7521 00	1	Housing		1185	0661 1000 30	1	Seal washer	
1060	0147 1321 03	2	Hexagon bolt		1190	1613 7063 00	1	Pipe	
1065	0301 2335 00	2	Washer		1195	0663 3129 00	1	O-ring	
1070	1614 6118 00	1	Flange		1200	0147 1325 03	2	Hexagon bolt	
1075	0663 2101 95	1	O-ring		1205	1613 7065 01	1	Hose assembly	
1080	0147 1246 03	2	Hexagon bolt		1210	1613 7065 02	1	Hose assembly	
1085	0301 2321 00	2	Washer		1215	0663 3129 00	2	O-ring	
1090	1619 7333 00	1	Thermostat		1220	0147 1327 03	4	Hexagon bolt	
1100	1202 7522 00	1	4-Way valve		1225	0266 2110 00	4	Nut	
	2901 0100 00	1	4-way valve kit		1230		1	Thermostatic valve	
	0663 2106 02	• 1	O-ring			1613 7064 01		60-75°C	
	0663 2106 03	• 1	O-ring			1619 7596 00		65-85°C	
1105	0663 2102 64	2	O-ring			1619 7595 00		70-85°C	
1110	0147 1325 03	4	Hexagon bolt			1619 7493 00		75-95°C	
1115	1202 7689 00	1	Handle			1619 7614 00		80-95°C	
1120	1202 7683 00	2	Label		1255	1079 9913 69	1	Information label	
1125	0147 1321 03	1	Hexagon bolt		1260	1079 9913 79	1	Information label	
1130	0301 2335 00	1	Washer		1265	0686 3716 01	1	Hexagon plug	
1135	0551 0001 60	2	Pipe		1270	0653 1062 00	1	Flat gasket	
1140	0564 0000 29	2	Tee			1613 7636 80	1	Support assembly	
1145	0605 8700 51	2	Bushing		2020	1613 7636 00	• 1	Support	
1146	0661 1000 30	2	Seal washer		2025	1202 7682 00	• 1	Label	

21

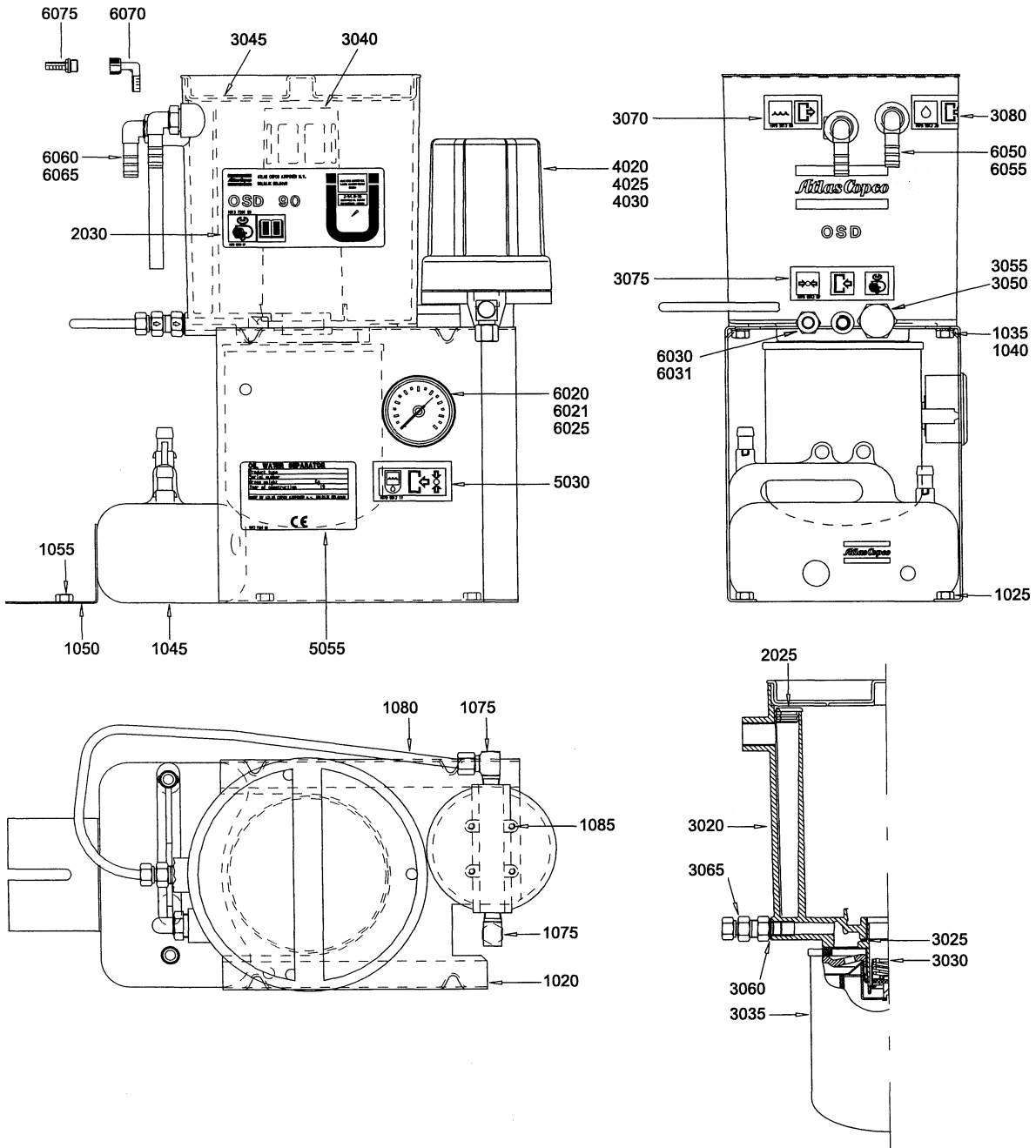


Drain system, Electronic condensate drain (Optional)

21

Ref.	Part number	Qty	Name	Remarks	Ref.	Part number	Qty	Name	Remarks
1170	0584 0080 10	1	Cutting ring	Ø8	2080		1	Pipe coupling	
2020	1613 8675 00	1	Support			0581 0000 45		Pack	
2025	1619 2766 00	2	Bolt			0581 1200 27		Full Feature	
2030	1613 8341 01	1	Bekomat 13		2085	0661 1000 25	2	Seal washer	
2035	0605 8814 06	1	Bushing		2090	1613 8084 00	1	Pipe coupling	
2040	0581 1200 27	1	Pipe coupling		2095	0070 6002 05	AR	Plastic tube	
2045	1613 7720 09	1	Pipe		2100	0581 0000 35	1	Coupling	
2050	0581 0000 37	1	Pipe coupling		2105	0661 1000 25	2	Seal washer	
2055	0661 1000 27	1	Seal washer		2110	0852 0010 11	1	Ball valve	
2060	1619 6153 04	1	Ball valve		2115	0581 0028 01	1	Pipe coupling	
2065	0661 1000 27	1	Seal washer		2120	1613 8108 01	1	Pipe	
2070	0581 0000 53	1	Straight pipe coupling		2125	0581 1228 04	1	Elbow	
2075	0070 6002 06	AR	Plastic tube		2130	0605 8814 06	1	Bushing	
					2135	0607 3000 13	1	Reducer	
					2140	0581 1200 23	1	Elbow coupling	

22



Drain system OSD (Optional)

Ref.	Part number	Qty	Name	Remarks	Ref.	Part number	Qty	Name	Remarks
1020	1613 8109 00	1	Support		3060	0653 0500 02 ●●	1	Gasket	
1025	1619 2766 00	2	Bolt		3065	1613 7378 00 ●●	1	Strainer	
1035	0147 1322 03	3	Hexagon bolt		3070	1079 9913 69 ●●	1	Inform.label	
1040	0301 2335 00	3	Washer		3075	1079 9912 07 ●●	1	Decal	
1045	1613 7300 00	1	Oil can		3080	1079 9912 28 ●●	1	Decal	
1050	1613 7327 00	1	Support			1613 7865 80	1	Filter assembly	
1055	1619 2766 00	1	Bolt		4020	1613 7864 00 ●	1	Filter element	
1075	0581 1200 37	2	Pipe coupling		4025	1613 7865 00 ●	1	Filter housing	
1080	0070 6002 05	AR	Plastic tube		4030	0663 2104 06 ●	1	O-ring	
1085	0226 0326 00	4	Tapping screw		5030	1079 9912 11	1	Decal	
	1613 7301 81	1	OSD assembly		5055	1613 7384 00	1	Data plate	
2025	1613 7945 00 ●	1	Plug		6020	1615 7264 00	1	Pressure gauge	
2030	1079 9909 07 ●	1	Label		6021	0584 9904 00	2	Sleeve	
	1613 7301 80 ●	1	OSD assembly		6025	0070 6002 04	AR	Plastic tube	
3020	1613 7301 00 ●●	1	Oil-water separator		6030	0581 2024 32	1	Coupling	
3025	0661 1054 00 ●●	1	Tredo washer		6031	0653 0500 47	1	Gasket	
3030	1613 7297 00 ●●	1	Valve		6050	1613 7985 00	1	Nipple	
3035	1613 7277 00 ●●	1	Oilfilter		6055	0070 6002 14	AR	Plastic tube	
3040	1613 7299 00 ●●	1	Filter		6060	1613 7985 00	1	Nipple	
3045	1613 7298 00 ●●	1	Cover		6065	0070 6002 14	AR	Plastic tube	
3050	0653 9098 00 ●●	1	Flat gasket		6070	1613 7342 00	1	Elbow coupling	
3055	0686 3716 02 ●●	1	Hexagon plug		6075	1613 7341 00	1	Pipe coupling	

23

Service kits

Ref.	Part number	Qty	Name	Remarks	Ref.	Part number	Qty	Name	Remarks
	2901 0045 01	1	Oil barrel			2901 0219 00	1	Water separator kit	
			ROTO-INJECTFLUID			0301 2344 00 •	4	Washer	
			209 l			0661 1000 24 •	1	Seal washer	
	2901 0068 00	1	Thermostatic valve kit			0661 1000 25 •	2	Seal washer	
			7.5-10 bar(e), 100-150 psig			0663 7136 00 •	3	O-ring	
	0663 2101 95 •	1	O-ring			2900 1017 00 •	1	Drain valve kit	
	1619 7333 00 •	1	Thermostat			2901 0245 01	1	Oil barrel	
	2901 0069 00	1	Thermostatic valve kit					ROTO-INJECTFLUID	
			13 bar(e), 175 psig					5 l	
	0663 2101 95 •	1	O-ring			2901 0246 00	1	Cooler kit	
	1619 7596 00 •	1	Thermostat			0661 1000 27 •	1	Seal washer	
	2901 0211 00	1	Unloader valve kit			0661 1000 29 •	4	Seal washer	
	0261 1090 67 •	1	Nut			0663 7134 00 •	1	O-ring	
	0301 2335 00 •	4	Washer			0663 7135 00 •	4	O-ring	
	0335 2136 00 •	1	Circlip			0663 7136 00 •	2	O-ring	
	0653 0500 02 •	1	Gasket			0663 7138 00 •	1	O-ring	
	0653 1062 00 •	1	Flat gasket			1614 6256 00 •	4	O-ring	
	0653 1100 00 •	4	Flat gasket			1614 6257 00 •	1	Ring	
	0657 5742 00 •	1	Flat gasket			1614 6258 00 •	1	Division rib	
	0661 1000 32 •	1	Seal washer			1614 6259 00 •	1	Rib joint	
	0663 2104 83 •	2	O-ring			2901 0325 00	1	Filter kit	
	0663 3122 00 •	1	O-ring					GA30, GA37-10, GA37-13,	
	0663 7132 00 •	1	O-ring					GA37-125, GA37-150,	
	0663 7144 00 •	1	O-ring					GA37-175, GA45-13,	
	0663 7150 00 •	1	O-ring					GA45-175	
	0663 9870 00 •	1	O-ring			0653 1062 00 •	1	Flat gasket	
	1079 9903 82 •	1	Warning label			0661 1000 25 •	1	Seal washer	
	1079 9903 83 •	1	Warning label			0661 1000 26 •	1	Seal washer	
	1513 0011 00 •	1	Spring			0661 1000 27 •	2	Seal washer	
	1613 6783 00 •	1	Piston			0663 2102 15 •	1	O-ring	
	1613 6816 00 •	1	Lipseal			1613 6105 00 •	1	Oil filter	
	1613 6818 01 •	1	Valve			1613 7407 00 •	1	Air filter element	
	1613 8068 01 •	1	Spring			2901 0326 00	1	Filter kit	
	1619 5819 00 •	1	Sintered disk					GA37-7.5, GA37-8, GA37-100,	
	2901 0217 00	1	Oil stop valve kit					GA45-7.5, GA45-8,	
	0661 1000 27 •	1	Seal washer					GA45-10, GA45-100,	
	0661 1000 30 •	2	Seal washer					GA45-125, GA45-150	
	0661 1000 29 •	1	Seal washer			0661 1000 25 •	1	Seal washer	
	0663 2101 97 •	2	O-ring			0661 1000 26 •	1	Seal washer	
	0663 2100 24 •	1	O-ring			0661 1000 27 •	2	Seal washer	
	0663 2101 80 •	2	O-ring			0661 1000 29 •	1	Seal washer	
	0663 3120 00 •	1	O-ring			0663 2102 15 •	1	O-ring	
	0663 7135 00 •	1	O-ring			1613 6105 00 •	1	Oil filter	
	1613 2357 00 •	1	Spring			1613 7408 00 •	1	Air filter element	
	2901 0218 00	1	Minimum pressure valve kit			2901 0503 00	1	Check valve kit	
	0301 2344 00 •	4	Washer			0661 1000 26 •	1	Seal washer	
	0335 3111 00 •	1	Circlip			0663 2107 77 •	1	O-ring	
	0663 3133 00 •	1	O-ring			0663 7136 00 •	2	O-ring	
	0663 7134 00 •	1	O-ring			0663 7138 00 •	1	O-ring	
	0663 7136 00 •	3	O-ring			1202 6139 00 •	1	Valve	
	0663 7138 00 •	2	O-ring			1613 5165 00 •	1	Spring	
	1612 4048 00 •	1	Spring			2901 0522 00	1	Oil can	
	1612 4049 00 •	1	Spring					ROTO-INJECTFLUID	
	1613 3223 01 •	1	Washer					20 l	
	1614 4662 00 •	2	Piston ring						

Service kits

Ref.	Part number	Qty	Name	Remarks	Ref.	Part number	Qty	Name	Remarks
	2901 0566 00	1	Oil separator kit			2901 0570 00	1	Element mounting kit	
	0653 1062 00 •	4	Flat gasket					Gearbox drive	
	0653 1100 00 •	2	Flat gasket		0147 1409 03 •	1	Hexagon bolt		
	0663 7134 00 •	1	O-ring		0335 2169 00 •	1	Int.circlip		
	0663 7138 00 •	1	O-ring		0337 0009 35 •	1	Parallel key		
	0663 7168 00 •	2	O-ring		0337 6068 00 •	1	Parallel key		
	1613 8377 00 •	1	Joint		0504 0200 13 •	1	Bearing		
	1613 8397 00 •	1	Oil separator element		0508 1100 50 •	1	Roller bearing		
	1613 8451 01 •	1	Antivibration paper		0653 1062 00 •	2	Flat gasket		
	2901 0567 00	1	Preventive maintenance kit		0653 1100 00 •	2	Flat gasket		
			GA30, GA37-10, GA37-13,		0661 1000 29 •	1	Seal washer		
			GA37-125, GA37-150,		0663 2103 22 •	1	O-ring		
			GA37-175, GA45-13,		0663 2107 77 •	1	O-ring		
			GA45-175		0663 2109 30 •	1	O-ring		
	2901 0211 00 •	1	Unloading valve kit		0663 3120 00 •	1	O-ring		
	2901 0217 00 •	1	Oil stop valve kit		0663 7135 00 •	1	O-ring		
	2901 0218 00 •	1	Minimum pressure valve kit		0663 7136 00 •	1	O-ring		
	2901 0219 00 •	1	Water separator kit		0663 7138 00 •	1	O-ring		
	2901 0325 00 •	1	Filter kit		0663 7150 00 •	1	O-ring		
	2901 0503 00 •	1	Check valve kit		1613 6885 00 •	1	Coupling element		
	2901 0566 00 •	1	Oil separator kit		1613 8377 00 •	2	Joint		
					1613 8451 01 •	2	Antivibration paper		
	2901 0568 00	1	Preventive maintenance kit		2904 0061 00 •	1	Lipseal kit GBD		
			GA37-7.5, GA37-8, GA37-100,						
			GA45-7.5, GA45-8,						
			GA45-10, GA45-100,						
			GA45-125, GA45-150						
	2901 0211 00 •	1	Unloading valve kit						
	2901 0217 00 •	1	Oil stop valve kit						
	2901 0218 00 •	1	Minimum pressure valve kit						
	2901 0219 00 •	1	Water separator kit						
	2901 0326 00 •	1	Filter kit						
	2901 0503 00 •	1	Check valve kit						
	2901 0566 00 •	1	Oil separator kit						
	2901 0569 00	1	Element mounting kit						
			Direct drive GA30-7.5						
	0337 6068 00 •	1	Parallel key						
	0653 1062 00 •	2	Flat gasket						
	0653 1100 00 •	2	Flat gasket						
	0661 1000 29 •	1	Seal washer						
	0663 2107 77 •	1	O-ring						
	0663 3120 00 •	1	O-ring						
	0663 7135 00 •	1	O-ring						
	0663 7136 00 •	1	O-ring						
	0663 7138 00 •	1	O-ring						
	0663 7150 00 •	1	O-ring						
	1613 6885 00 •	1	Coupling element						
	1613 8377 00 •	2	Joint						
	1613 8451 01 •	2	Antivibration paper						